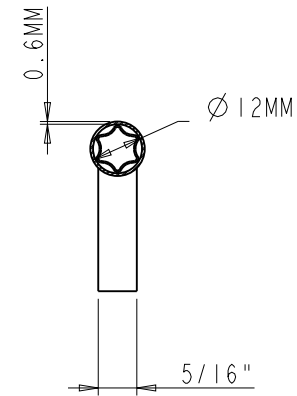
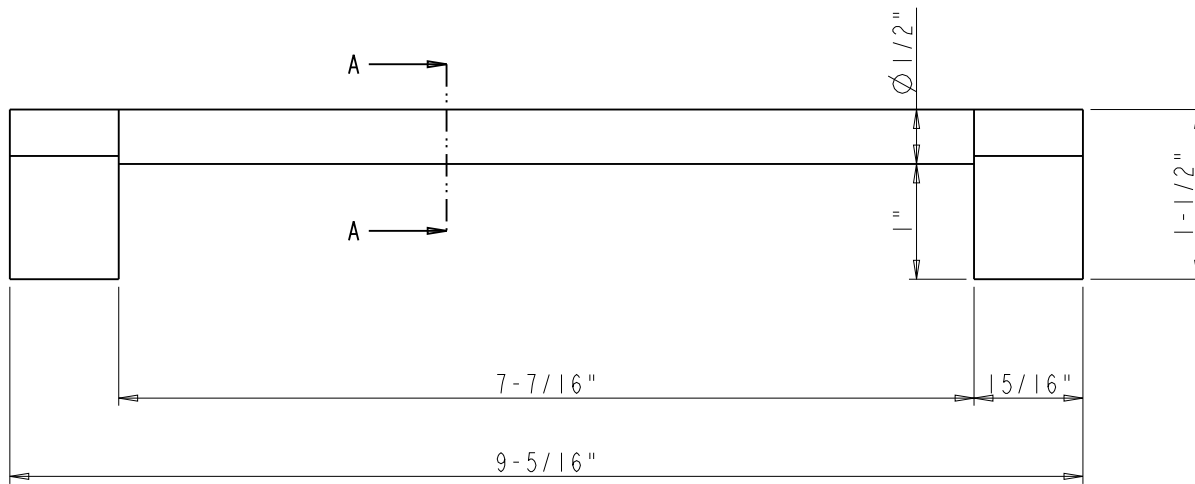
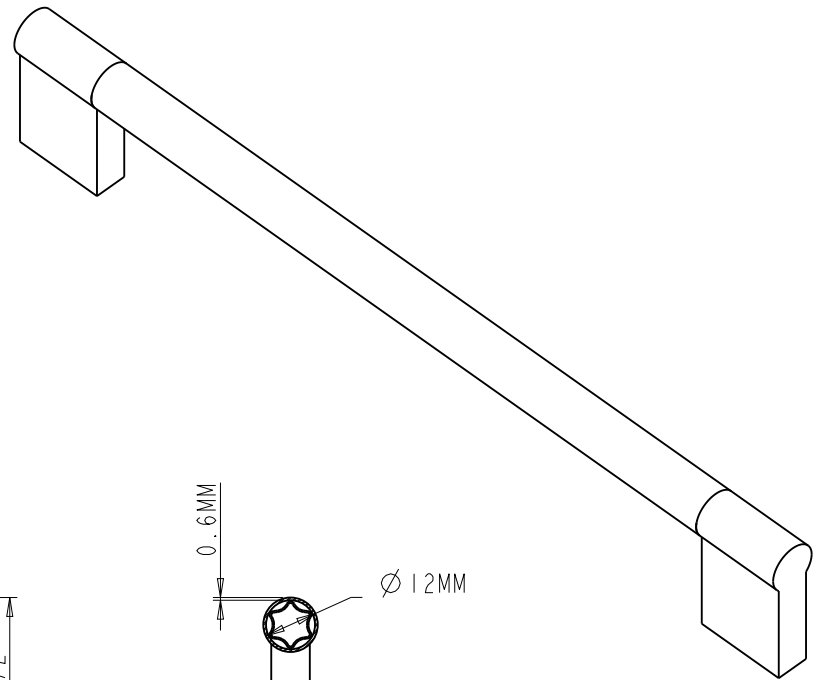
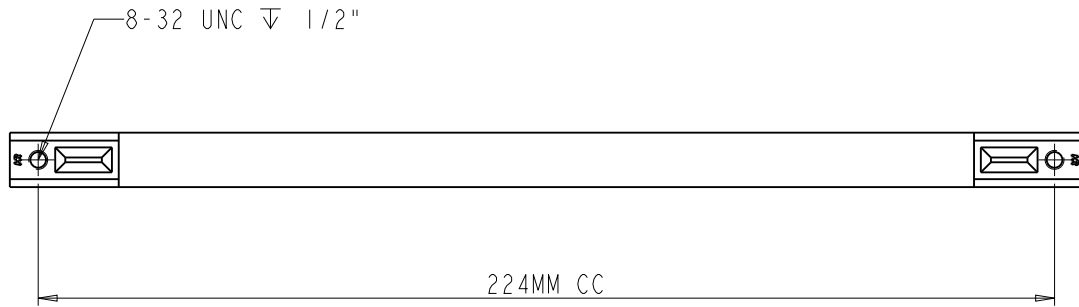


	ITEM#: 645-224	MATERIAL:	
	FINISH:	WEIGHT:	
PROPRIETARY AND CONFIDENTIAL THE INFORMATION CONTAINED IN THIS DRAWING IS THE SOLE PROPERTY OF HARDWARE RESOURCES INC. ANY REPRODUCTION IN PART OR AS A WHOLE WITHOUT THE WRITTEN PERMISSION OF HARDWARE RESOURCES INC. IS PROHIBITED.	UNITS: <input type="checkbox"/> IN <input type="checkbox"/> MM DRAWN BY: Alexander.W DATE: 06-13-18		
	TOLERANCE UNLESS OTHERWISE SPECIFIED: X ±0.20 X.X ±0.10 X.XX ±0.05 ANGULAR: ±0.5°	APPROVED BY: RELEASE LEVEL:	DATE: REVISION:
	DO NOT SCALE DRAWING	SHEET:	REVISION:



SECTION A-A



	ITEM#: 645-224		MATERIAL:	
	FINISH:		WEIGHT: 128.36 g	
	PROJECTION		DATE: 06-13-18	
	TOLERANCE UNLESS OTHERWISE SPECIFIED: X ±0.20 X.X ±0.10 X.XX ±0.05 ANGULAR: ±0.5°		UNITS:	DRAWN BY: Alexander.W
PROPRIETARY AND CONFIDENTIAL THE INFORMATION CONTAINED IN THIS DRAWING IS THE SOLE PROPERTY OF HARDWARE RESOURCES INC. ANY REPRODUCTION IN PART OR AS A WHOLE WITHOUT THE WRITTEN PERMISSION OF HARDWARE RESOURCES INC. IS PROHIBITED.		SIZE:	APPROVED BY:	DATE:
DO NOT SCALE DRAWING		SHEET:	RELEASE LEVEL:	REVISION: