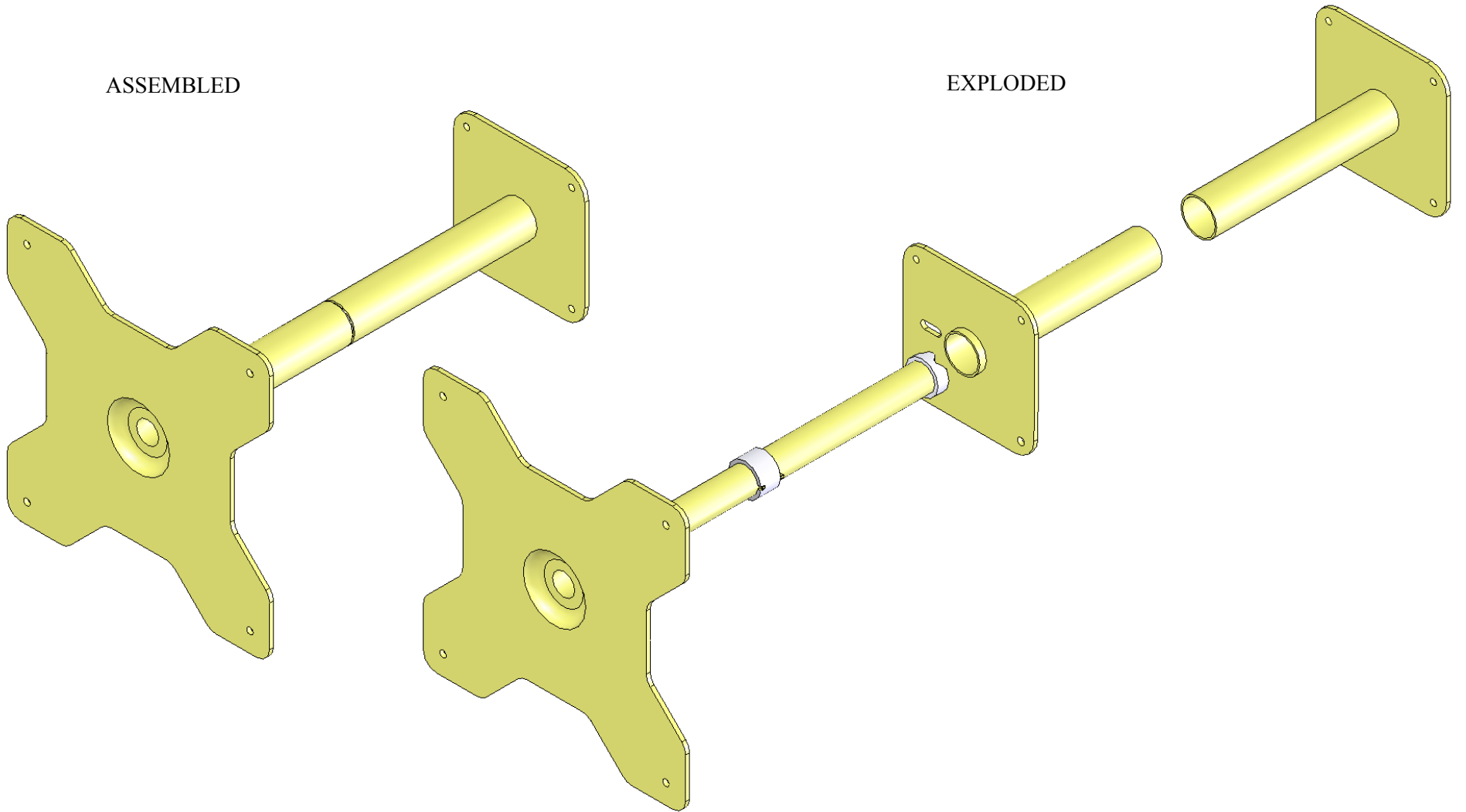


ASSEMBLED

EXPLODED



Drawn by: Udhay.N	Scale: 1:1	Date: 10/05/05	HARDWARE RESOURCES	
<p style="text-align: center;">TOLERANCES</p> <p style="text-align: center;">UNLESS OTHERWISE SPECIFIED TOLERANCES ARE IN METRIC</p> <p>OVER ALL LENGTH $\pm 0.1\text{MM}$ ANGLES $\pm 0^\circ 30'$</p>			4319 MARLENA ST, BOSSIER CITY, LA71111	
			PART NAME:	LAZY SUSAN POLE
			MATERIAL:	HR
			ITEM NO:	LSP2
			PLATING:	ALM

* - Critical Dimensions

Sheet 1/4

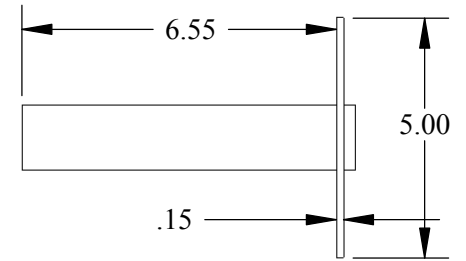
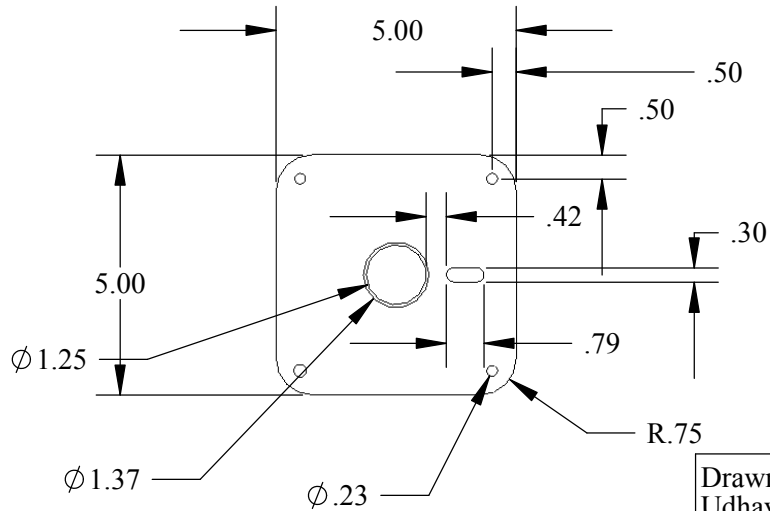
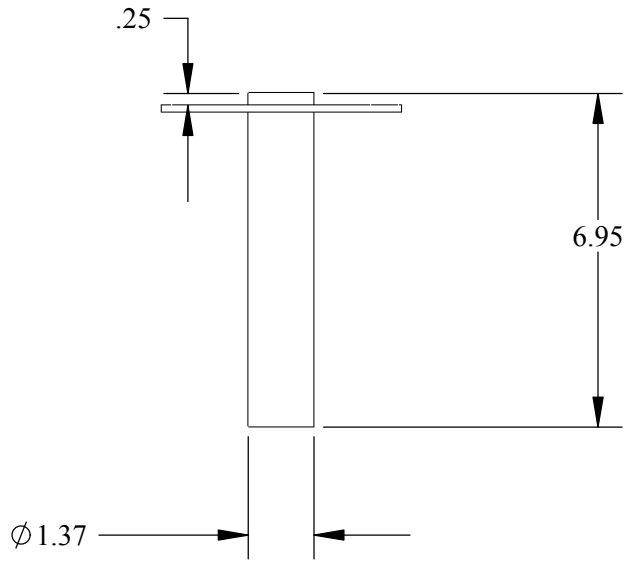
5

4

3

2

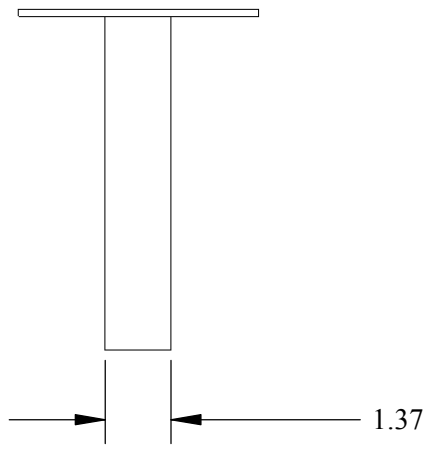
1



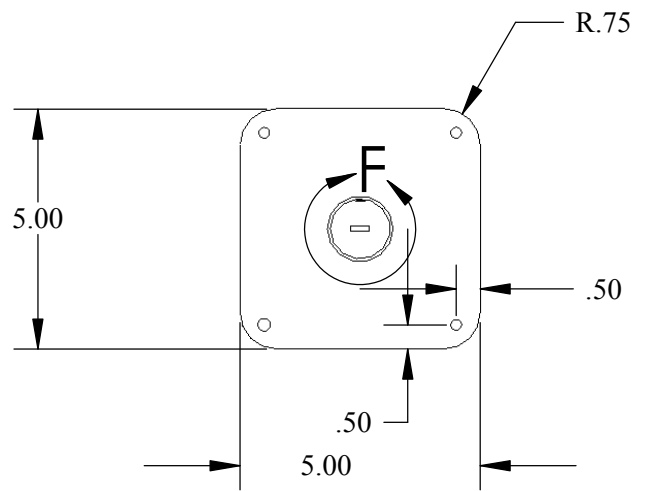
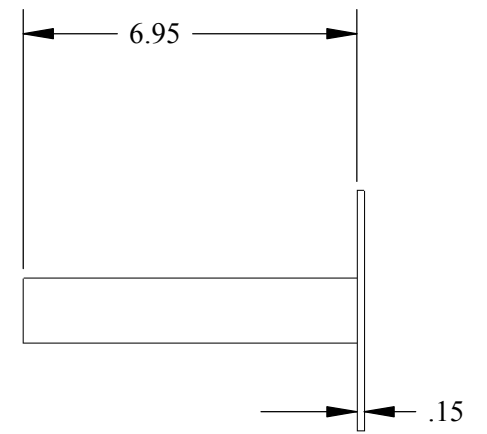
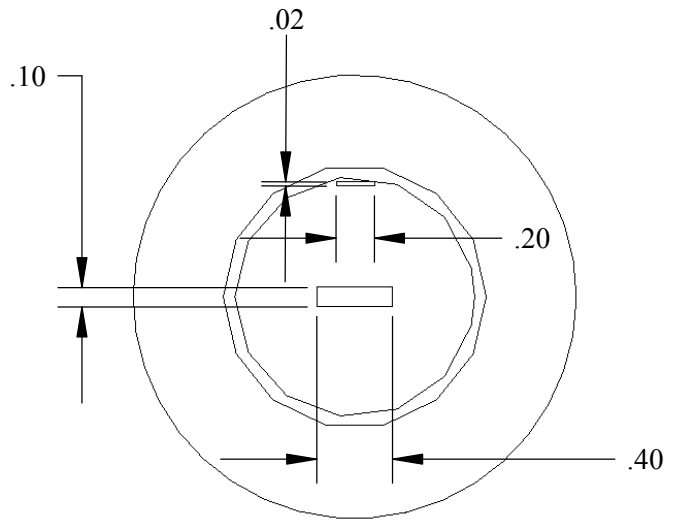
Drawn by: Udhay.N	Scale: 1:1	Date: 10/05/05	HARDWARE RESOURCES
<p style="text-align: center;">TOLERANCES</p> <p style="text-align: center;">UNLESS OTHERWISE SPECIFIED TOLERANCES ARE IN METRIC</p> <p style="text-align: center;">OVER ALL LENGTH $\pm 0.1\text{MM}$ ANGLES $\pm 0^\circ 30'$</p>			4319 MARLENA ST, BOSSIER CITY, LA71111
			PART NAME:
			MATERIAL:
			ITEM NO:
			PLATING:

* - Critical Dimensions

Sheet 3/4



DETAIL F
SCALE 1 : 1



Drawn by: Udhay.N	Scale: 1:1	Date: 10/05/05
----------------------	---------------	-------------------

HARDWARE RESOURCES	
4319 MARLENA ST, BOSSIER CITY, LA71111	
PART NAME:	
MATERIAL:	
ITEM NO:	
PLATING:	

TOLERANCES
UNLESS OTHERWISE SPECIFIED
TOLERANCES ARE IN METRIC

OVER ALL LENGTH $\pm 0.1\text{MM}$
ANGLES $\pm 0^\circ 30'$

* - Critical Dimensions

Sheet 4/4