
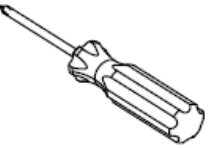

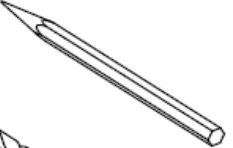

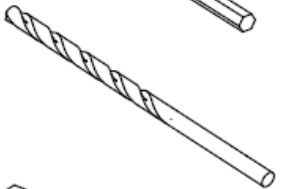
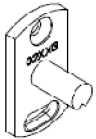
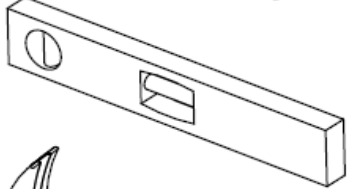

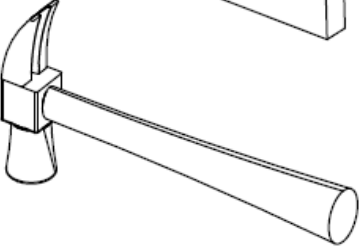

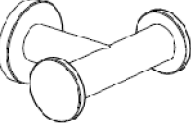


ITEMS INCLUDED		TOOLS REQUIRED	
DRY WALL ANCHOR	 X 4	PHILLIPS SCREW DRIVER	
TILE ANCHOR	 X 4	PEN / PENCIL	
#8 SCREW	 X 4	1/4" (6 mm) DRILL	
MOUNTING BRACKET	 X 2	LEVEL SET	
M6X1 SET SCREW	 X 2	HAMMER	
3MM HEX KEY	 X 1		
DOUBLE HOOK	 X 1		

KUBIC

INSTALLATION INSTRUCTIONS

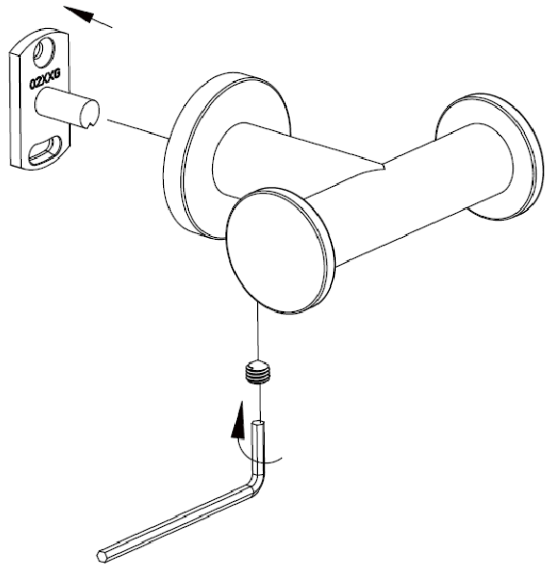
4610D

DOUBLE HOOK

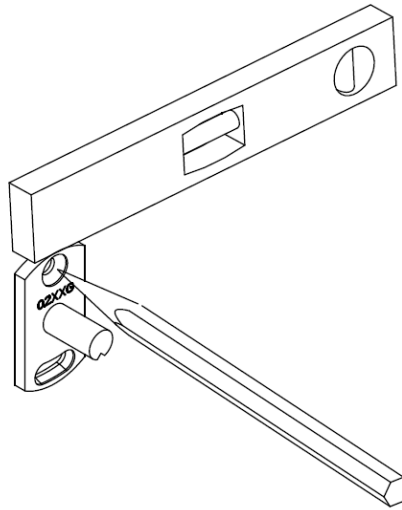
GINGER
Luxury For Your Lifestyle™

2001 CARNEGIE AVE, SANTA ANA CA 92705
 (949) 417-5207
 WWW.GINGERCO.COM

① REMOVE MOUNTING BRACKETS

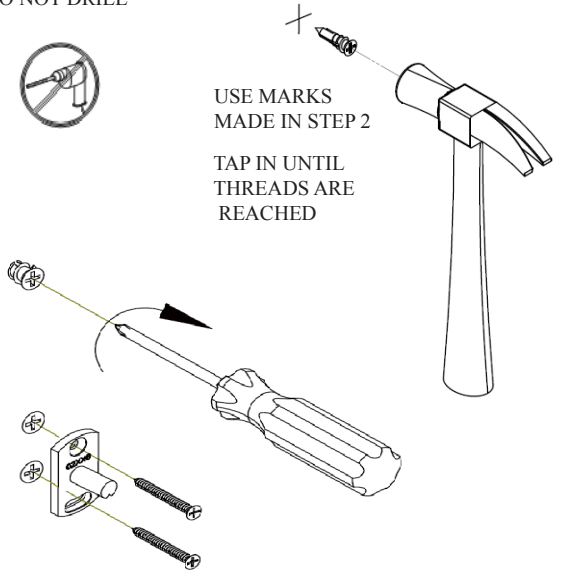


② ALIGN MOUNTING BRACKETS AND MARK LOCATION



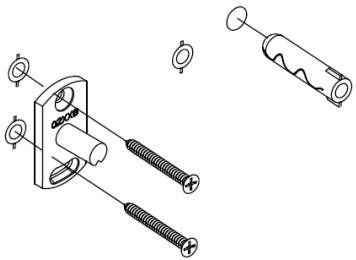
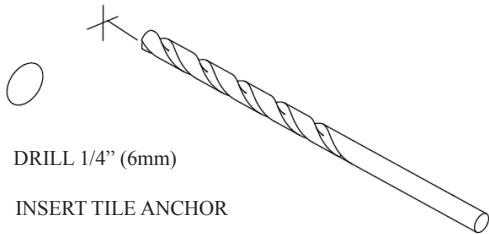
③ DRY WALL INSTALLATION

DO NOT DRILL

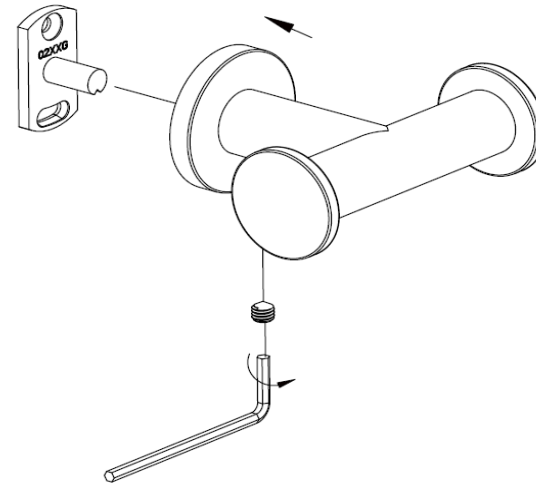


④ TILE OR SOLID WALL INSTALLATION

USE MARKS MADE IN STEP 2



⑤ INSTALL PRODUCT ONTO BRACKETS



SECURE WITH SET SCREW