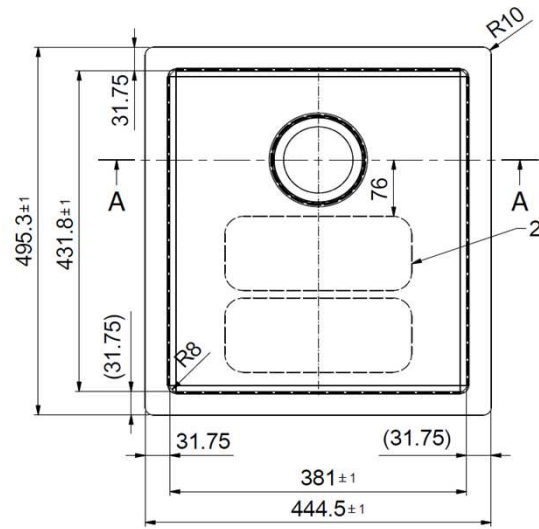


Spec Sheet

Stainless Steel

PS2X110-15



Technical Features / Nominal Dimensions

Overall Sink Size (OD)	17.5 x 19.5	Bowl Size (ID)	15 x 17
Bowl Depth (ID)	10"	Cut Out Size	16 x 18
Sound pads	Yes	Sound Coating	Yes
Minimum Cabinet	21	Drain Measurement	3 1/2"
Installation Type	UNDERMOUNT	Code Approvals	UPC & cUPC
Packed Weight		Box Dimensions	
Clips	EL CLIPS	Template	Yes
Warranty	Limited Lifetime	Material	16 GAUGE T304SS

Accessories Included

RND-CVR (Round Drain Cover)

Available Accessories

Grid	PS2-15-36s
Colander	PS2-70S
Cutting Board	PS2-40S
Roll Matt	RM18S

FRANKE Kitchen Systems

(800) 626-5771
www.frankeksd.com