



California Faucets®

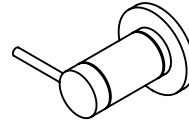
# D Street™

## TWO HANDLE TUB OR SHOWER TRIM

### Features

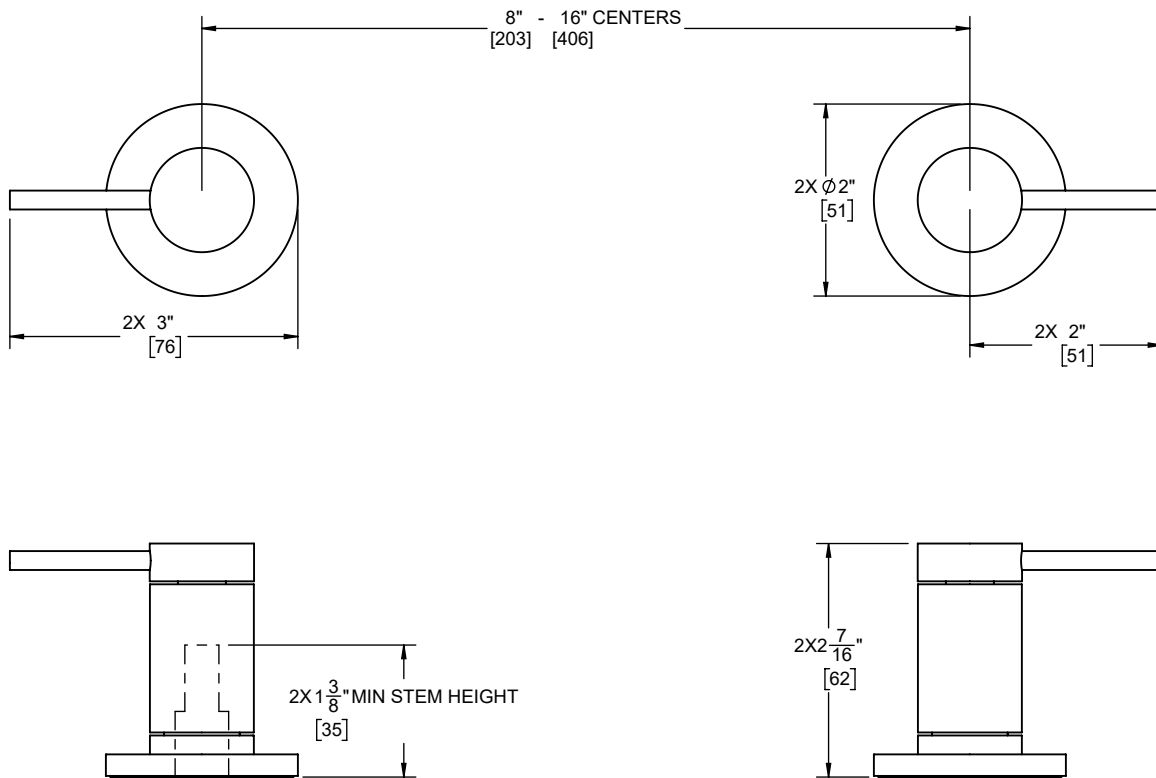
- Available in 28 finishes including 13 PVD finishes
- All brass construction
- Less head, arm, flange, and spout
- Requires rough valve: 2-VR or VL-R (sold separately)

TO-5206L  
TO-5206FL  
TO-5206KL



### Codes/Standards Applicable

- Product meets or exceeds the following:
- ASME A112.18.1/CSA B125.1
  - ADA compliant



THROUGH-HOLE SPECIFICATIONS		
MIN	RECOMMENDED	MAX
Ø 11/16" [17]	Ø 1-1/4" [32]	Ø 1-5/8" [41]

DIMENSIONS SHOWN TO NEAREST 1/16"  
[DIMENSIONS SHOWN TO NEAREST 1MM]

SPECIFICATIONS SUBJECT TO CHANGE WITHOUT NOTICE