



California Faucets®

**Libretto™**

**SINGLE HOLE LAVATORY FAUCET**

**E501-2**

**Features**

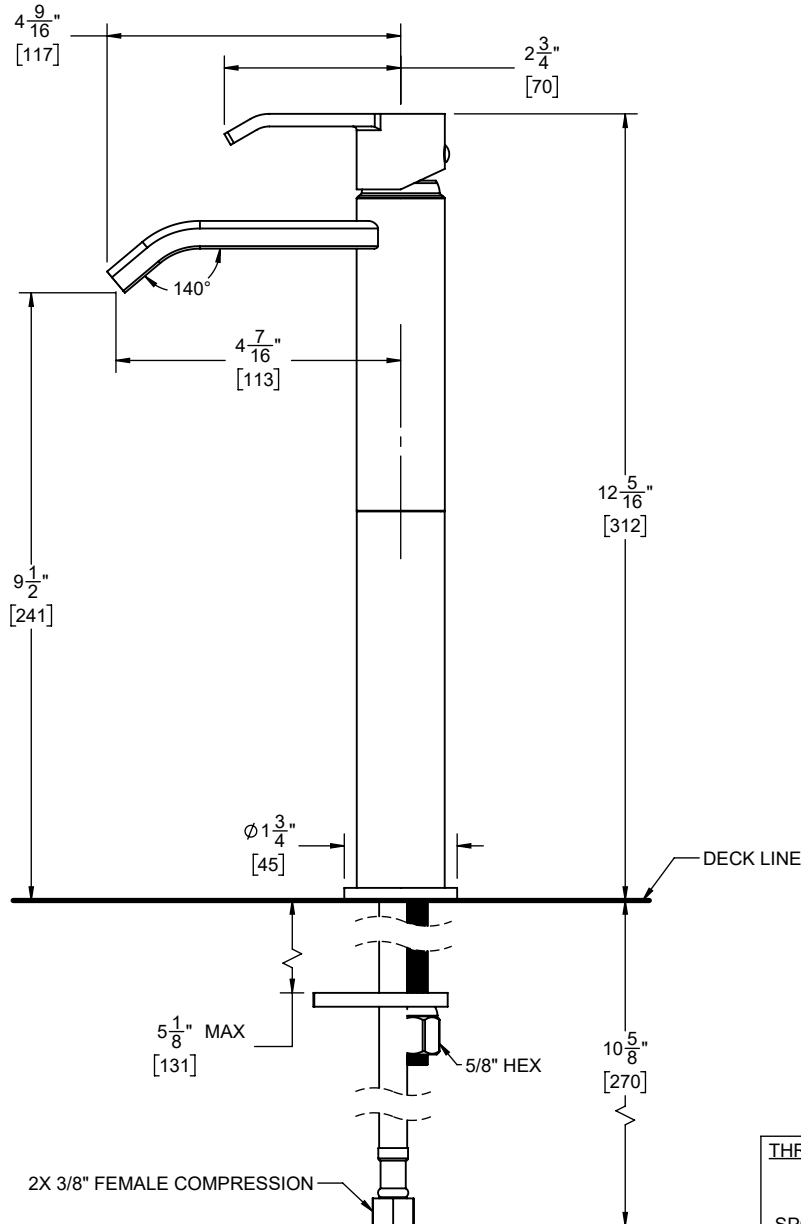
- Available in 28 finishes including 13 PVD finishes
- All brass construction
- 4-7/16" spout center to center
- Single handle operation cartridge with ceramic disk
- Flexible braided hoses for ease of installation
- 1.2 gpm (4.5 L/m) max flow rate



**Codes/Standards Applicable**

Product meets or exceeds the following:

- ASME A112.18.1/CSA B125.1
- NSF/ANSI 61 & NSF/ANSI 372
- CEC / DOE
- EPA WaterSense High Efficiency Lavatory
- Commonwealth of MA
- ADA compliant



THROUGH-HOLE SPECIFICATIONS	
MIN	RECOMENDED
SPOUT: $\phi 1-1/4"$ [32]	$\phi 1-3/8"$ [35]

DIMENSIONS TO NEAREST 1/16"  
[DIMENSIONS TO NEAREST 1mm]

SPECIFICATIONS SUBJECT TO CHANGE WITHOUT NOTICE