



Features

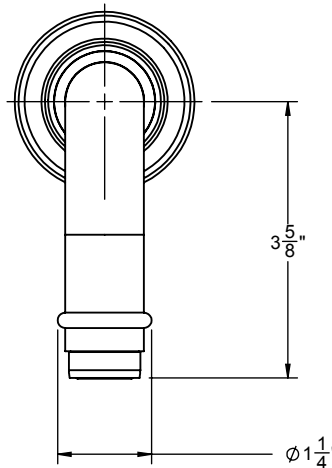
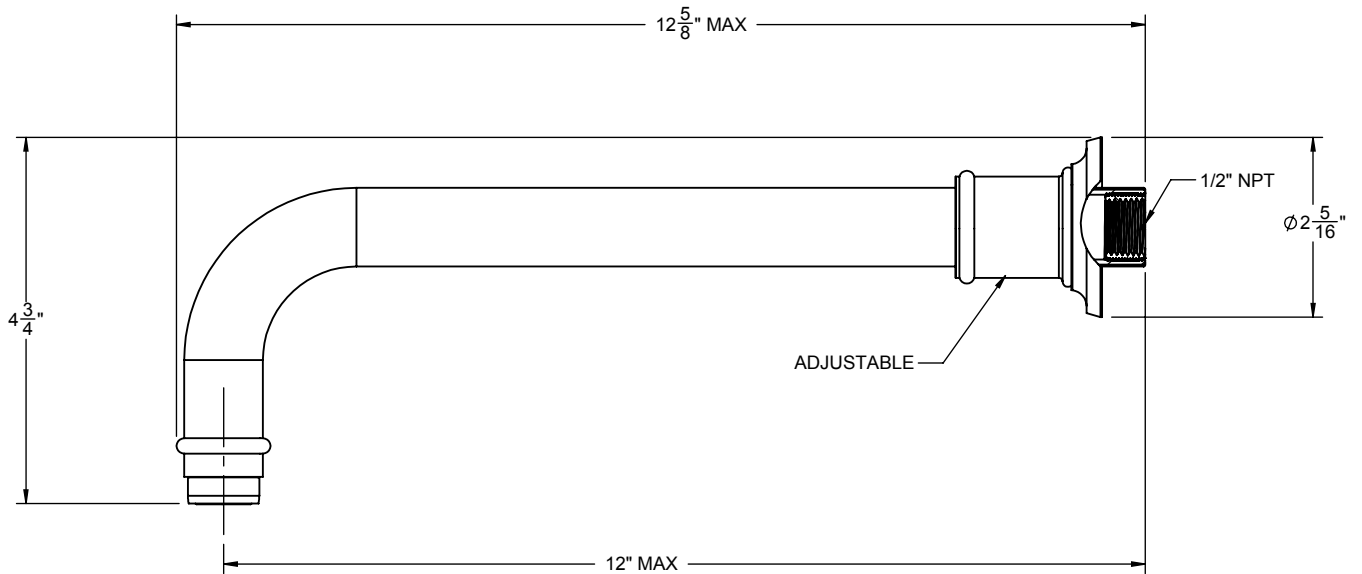
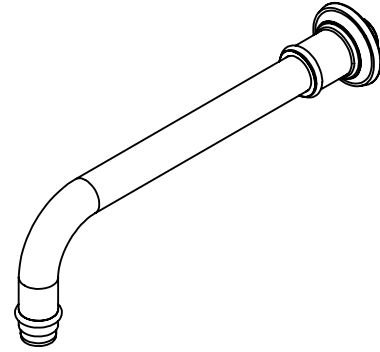
- Includes adjustable decorative base/ring (slides on spout)
- For use with: StyleTherm, 3-VR or 2-VR
- Maximum flow rate: 16 gpm (60 L/min)
- Solid brass construction
- Over 30 finishes including 14 PVD finishes

Codes/Standards Applicable

Meets or exceeds the following at date of manufacture:

- ASME A112.18.1/CSA B125.1

DE-48



THROUGH-HOLE SPECIFICATIONS		
	MIN	RECOMMENDED
SPOUT:	$\phi 1"$	$\phi 1"$

ALL DIMENSIONS SHOWN TO NEAREST 1/16"