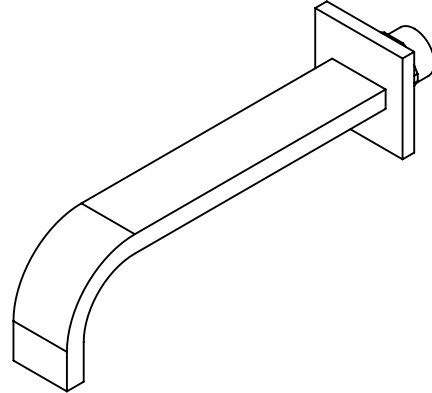




Features

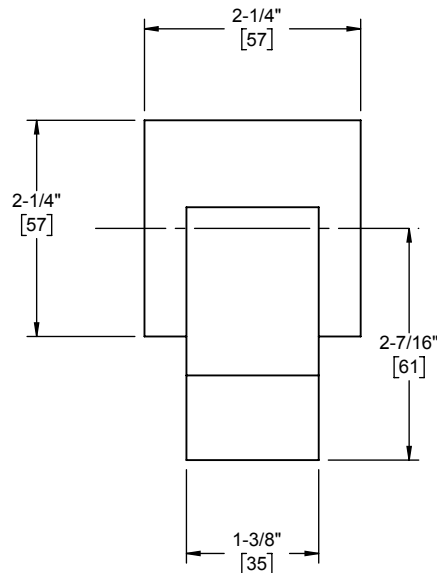
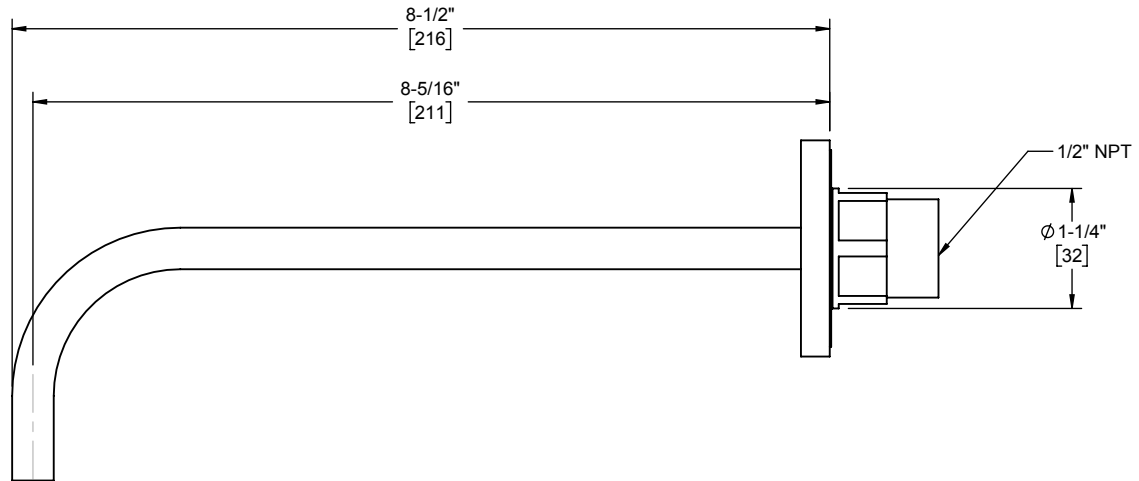
- Available in 28 finishes including 13 PVD finishes
- All brass construction
- Includes decorative base ring
- Max flow rate: 8 gpm (30.3 L/m)
- For use with: StyleTherm, 3-VR or 2-VR



Codes/Standards

Product meets or exceeds the following:

- ASME A112.18.1/CSA B125.1



Through-Hole Specifications	
Min	Max
Ø 1-1/4" [32]	Ø 1-3/8" [35]

Dimensions are inches, rounded to 1/16"
[Dimensions in brackets are mm, rounded to 1mm]