

California Faucets®

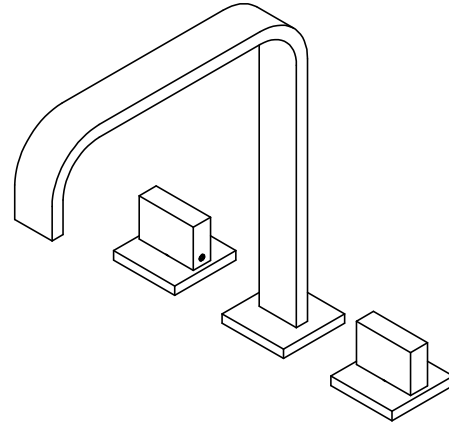
TERRA MAR™

ROMAN TUB SET

Features

- 9" spout center to center
- Max flow rate: 10 gpm (37.8 L/min)
- Includes rough in valves
- 1/4 turn ceramic disc cartridges
- Solid brass construction
- Over 30 finishes including 15 PVD finishes

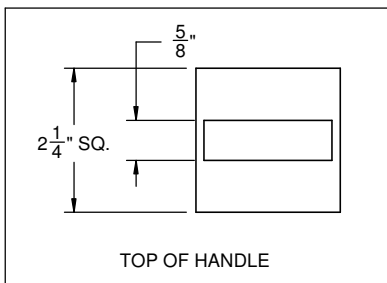
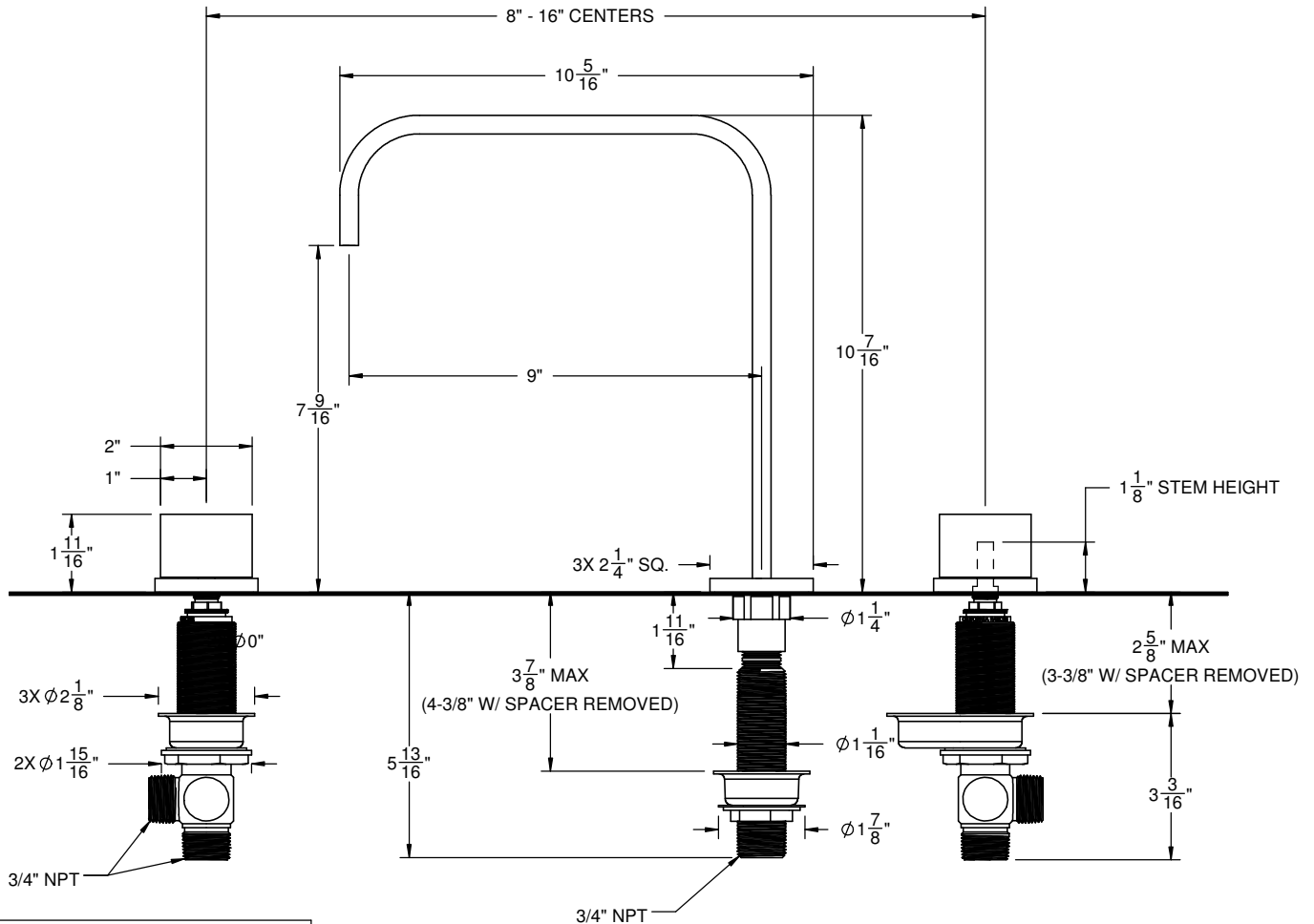
7808R



Codes/Standards

Product meets or exceeds the following:

- ASME A112.18.1/CSA B125.1
- Commonwealth of MA



THROUGH-HOLE SPECIFICATIONS		
MIN	RECOMMENDED	MAX
SPOUT: Ø1-3/16"	Ø1-3/8"	Ø1-3/4"
VALVE: Ø1-1/4"	Ø1-3/8"	Ø1-5/8"

SPECIFICATIONS SUBJECT TO CHANGE WITHOUT NOTICE

ALL DIMENSIONS SHOWN TO NEAREST 1/16"