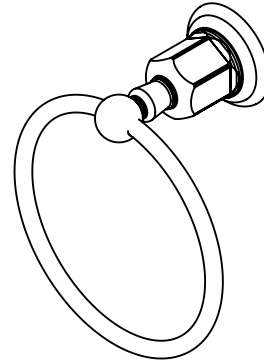




**Features**

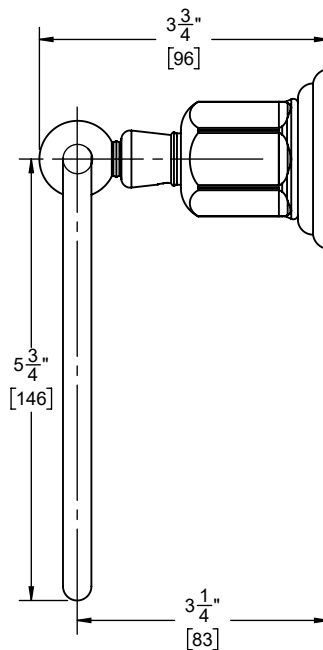
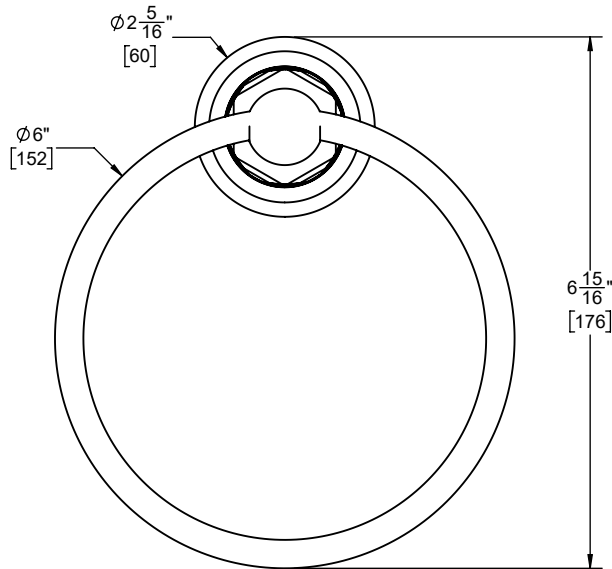
- Available in 28 finishes including 13 PVD finishes
- All brass construction
- Adjustable wall mount to allow proper horizontal leveling
- Includes all mounting hardware





**Codes/Standards Applicable**

Product meets or exceeds the following:

- None applicable



	(2X) 1 X 3/8" ANCHOR
	(2X) 8 X 1-1/2" PHILLIPS HEAD SCREW

DIMENSIONS TO NEAREST 1/16"  
[DIMENSIONS TO NEAREST 1mm]