

Single Hole Bar / Lavatory Faucet Installation Instructions

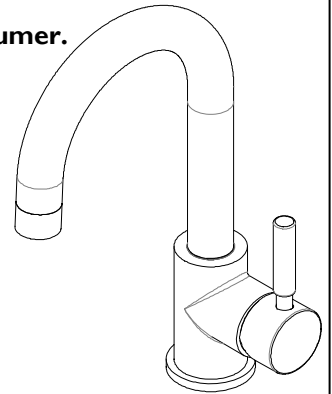
CALIFORNIA FAUCETS RECOMMENDS THAT ALL PLUMBING PRODUCTS BE INSTALLED BY A LICENSED PROFESSIONAL

IMPORTANT: Read all instructions prior to installation and provide copy of instructions to consumer.

Operating Specifications:

Recommended Supply Pressure: 20 to 70 psi*

* If water pressure exceeds 70 psi, install a Pressure-Reducing Valve (RPV).

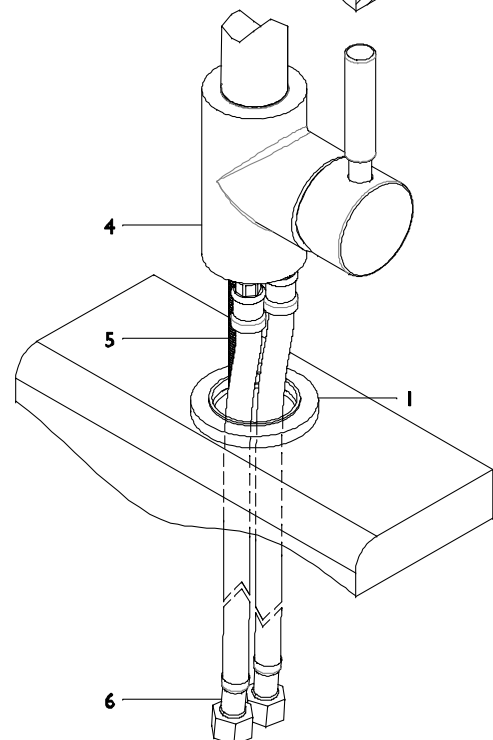
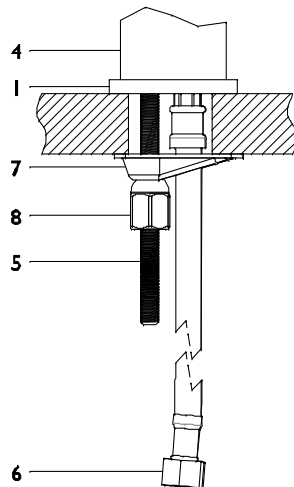
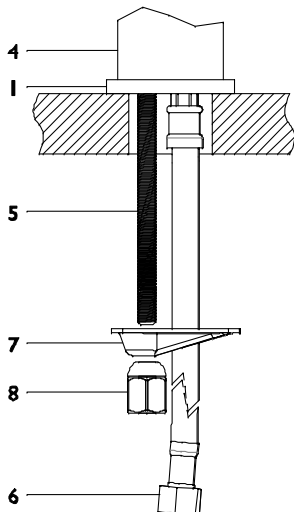
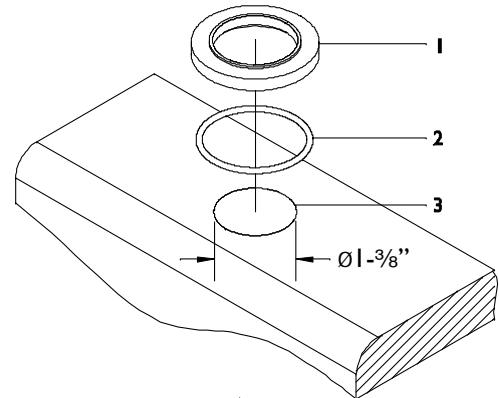


I INSTALLING FAUCET TO SINK/DECK

- Insert O-RING (2) into bottom of BASE RING (1) and center over sink/deck THROUGH-HOLE (3)

NOTE: Recommended sink/deck THROUGH-HOLE is $\text{Ø}1\text{-}\frac{3}{8}\text{'}$

- Insert FLEX HOSE (6) (one at a time) and THREADED ROD (5) through BASE RING (1) and sink/deck THROUGH-HOLE (3)
- Place BODY (4) on top of BASE RING (1)
- From underside of sink/deck THROUGH-HOLE (3), place MOUNTING BRACKET (7) and NUT (8) onto THREADED ROD (5)
- Tighten NUT (8) until BODY (4) and BASE RING (1) is secure to sink/deck



2

SUPPLY CONNECTIONS

For Right Handed Installations

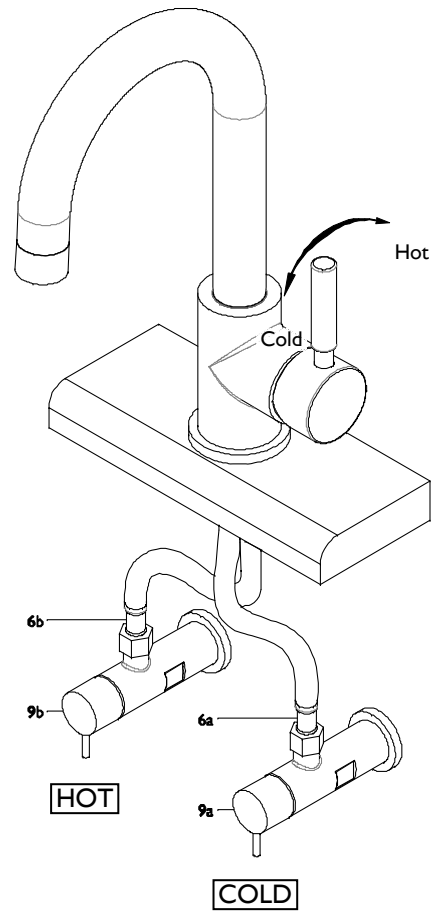
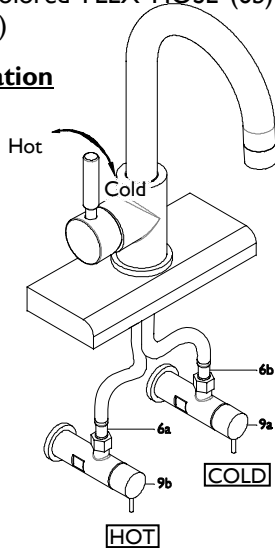
- Connect blue colored FLEX HOSE (6a) to “COLD” SUPPLY VALVE (9a)
- Connect red colored FLEX HOSE (6b) to “HOT” SUPPLY VALVE (9b)

IMPORTANT: Flush supply lines and valves prior to installation to prevent damage and malfunction of cartridge

For Left Handed Installations

- Connect the blue colored FLEX HOSE (6a) to “HOT” SUPPLY VALVE (9b)
- Connect the red colored FLEX HOSE (6b) to “COLD” SUPPLY VALVE (9a)

Left Handed Installation



Right Handed Installation

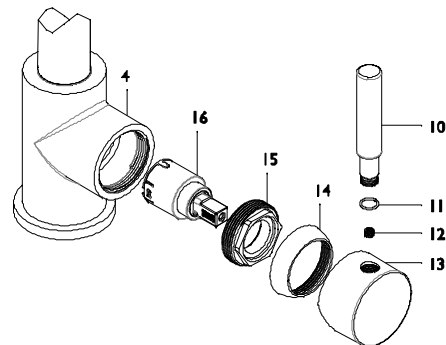
3

MAINTENANCE

Cartridge Service

- Turn off both “HOT” and “COLD” SUPPLY VALVES (9a & 9b)
- Unscrew HANDLE (10) and loosen SETSCREW (12).
- Slide CAP (13) off CARTRIDGE (16) stem.
- Unscrew BONNET (14), may require use of rubber jar lid removal pad or protected jaw pliers.
- Unscrew NUT (15) from BODY (4).
- Slide CARTRIDGE (16) out of BODY (4).
- Reinstall items in reverse order. CARTRIDGE (16) has two pins that must align into BODY (4). Ensure that O-RING (11) is on HANDLE (10) during reassembly.
- Turn on both “HOT” and “COLD” SUPPLY VALVES (9a & 9b)
- Check all connections for leaks and repair as necessary

NOTE: Occasionally, due to water conditions it may be necessary to remove aerator and clean debris off with soft bristle toothbrush



www.calfaucets.com

5231 Argosy Ave. Huntington Beach, CA 92649
800-822-8855