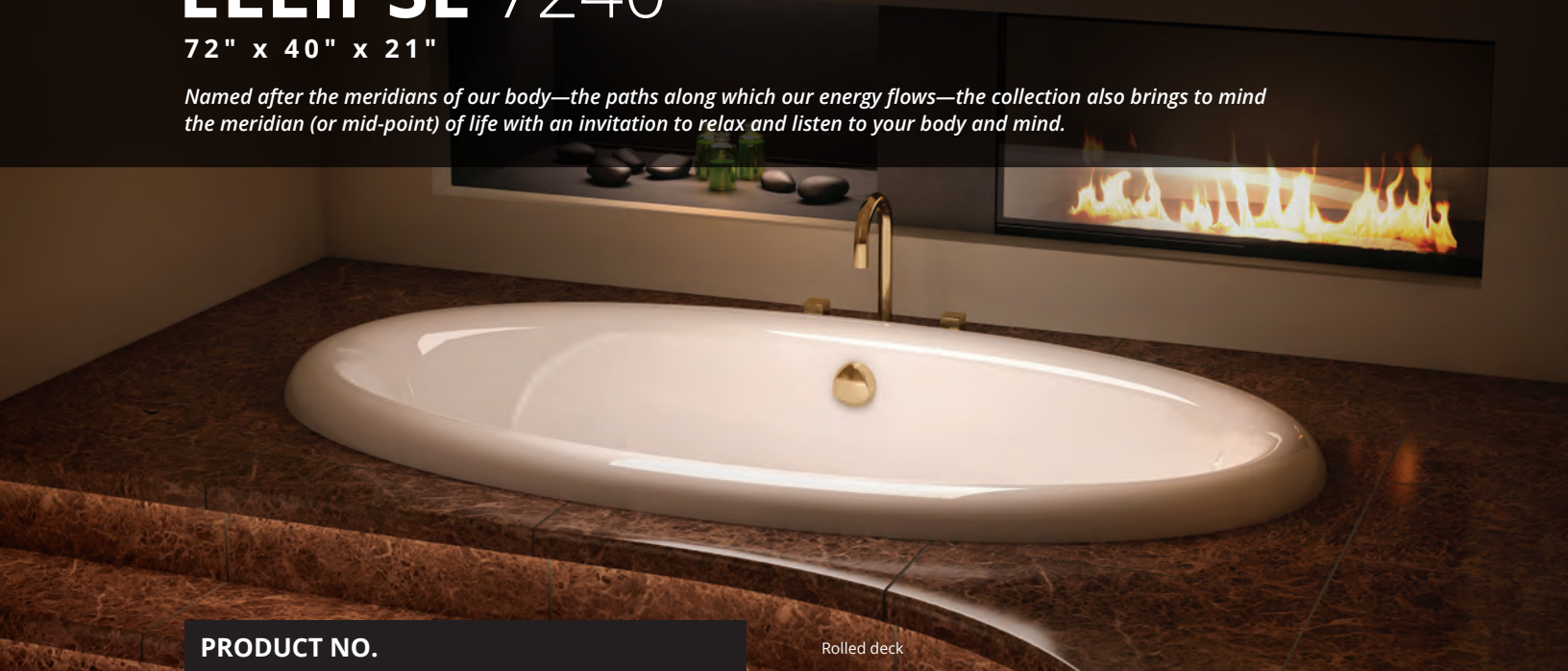


# ELLIPSE 7240

72" x 40" x 21"

Named after the meridians of our body—the paths along which our energy flows—the collection also brings to mind the meridian (or mid-point) of life with an invitation to relax and listen to your body and mind.



Rolled deck

## PRODUCT NO.

MODEL	TMU	TUB
Rolled deck	BMEUOUM0T-XX	BMEUOUM0N-XX
Flat deck	BMEUOUN0T-XX	BMEUOUN0N-XX

THERMOMASSEUR (TMU) Hydro-thermo massage • Air jet system	\$6,420
Jets	40
1 heated backrest	Included
MiaPlus® Control	Included
BU-Touch Control Application <b>BUTOUCH</b>	\$430
Geysair®	Included
AromaCloud®** <b>BAROMAC</b>	\$490
AromaFlow®** <b>BAROMAF</b> <b>NEW</b>	\$950
Illuzio Chromatherapy <b>BCHRO6</b>	\$925
2 <sup>nd</sup> heated backrest (WTS-1 zone) <b>BSHB</b>	\$1,125

TUB Soaker	\$2,970
AromaCloud®** <b>BAROMAC</b>	\$490
AromaFlow®** <b>BAROMAF</b> <b>NEW</b>	\$950
Illuzio Chromatherapy <b>BCHRO6</b>	\$925
WarmTouchShell® <b>BWTS</b>	\$1,125
DOT control	Included with therapy
2 <sup>nd</sup> WarmTouchShell® <b>BWTS2</b>	\$370

## FEATURES

Installation type	Drop-in		
No. of bathers		Imp. gallons	49
US gallons	59		
STANDARD COLOR			
		Included	
White <b>01</b>	Biscuit <b>02</b>		

## OPTIONS (UPCHARGE APPLICABLE)

WASTE & OVERFLOW	16" x 35" <b>BOVER16-XX</b>	INTE-GRATED** <b>BOVERIN-XX</b>
Chrome <b>07</b>	\$260	\$235
White <b>01</b> , Biscuit <b>02</b>	\$290	\$235
Brushed Nickel <b>09</b> , Polished Nickel <b>10</b>	\$400	\$235
Oil-rubbed Bronze <b>11</b>	\$400	N/A
Matte Black <b>19</b> , Satin Brass <b>18</b>	N/A	\$355
IF REQUIRED BY CONSTRUCTION CODE		
16" x 35" Cable driven brass waste & overflow kit <b>BOVERBR</b>	\$240	



Don't forget to indicate flat or rolled deck.

\* The AromaCloud® is built into the deck (factory installed).

\*\* Only when ordering an AromaFlow; an Integrated waste & overflow is mandatory (Upcharge). Specify the finish of the waste.

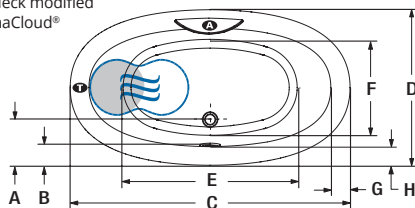


## ELLIPSE 7240

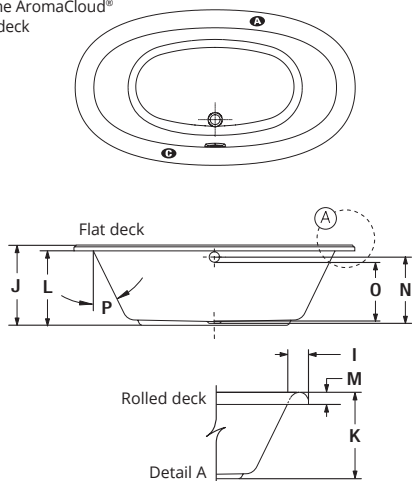


### INSTALLATION

- A** For rolled deck: deck modified to host the AromaCloud®



- A** With flat deck, the AromaCloud® is built into the deck



LETTER	DESCRIPTION	MEASURE
A	Outside edge to center drain	11 3/4"
B	Outside edge to overflow	4 7/8"
C	Total length	72"
D	Total width	40"
E	Bathing well length	46 1/8"
F	Bathing well width	24 3/4"
G	Deck width at backrest end	4 3/4"
H	Deck width	4 5/8"
I	Rolled deck width	5 3/8"
J	Height from bottom of bath to top deck	21"
K	Height from bottom of bath to top deck	22"
L	Height from bottom of bath to bottom of deck	19 1/2"
M	Height from bottom of deck to top deck	2 1/2"
N	Height from bottom of drain to center of overflow	16 5/8"
O	Maximum water level (Waste & overflow 16" x 35") Maximum water level with AromaFlow	14 7/8" 14 3/8"
P	Slope of backrest	27°

- A** AromaCloud® position
- B** Control position when factory-installed (Mia® or DOT)
- P** Turbine position (TMU)
- Indicates heated backrest (TMU)
- ☞ Indicates WarmTouchShell® position (TUB)

### TECHNICAL SPECIFICATIONS

<b>Hot water supply required</b>	The hot water supply should be 70% or more of the bath's total water capacity.
<b>Turbine</b>	Access to the pump must be at least 18" x 22". <b>Standard connection is 20 A, 120 V, 60 Hz</b> , dedicated line with a Ground-Fault Circuit Interrupter (GFCI). <b>For any additional option, a second line is needed 15 A, 120 V, 60 Hz</b> , dedicated line with a GFCI. Air vent necessary: 2" x 4" minimum.
<b>Others</b>	<ul style="list-style-type: none"> <li>- The Geysair® is located on the same side as the heated backrest. It must <b>NOT be relocated</b>. It must be <b>connected to the hot water supply</b> and be accessible (provide access).</li> <li>- There is a height difference for the rolled deck (see drawing Detail A).</li> <li>- Available with flat deck or rolled deck.</li> <li>- The water level will be lower when an AromaFlow is installed.</li> </ul>

Our products must be installed by certified professionals only and according to our Owner's Manual as well as federal, provincial/state and local building codes and regulations ([www.bainultra.com/dealers/dealer-documentation-and-catalog](http://www.bainultra.com/dealers/dealer-documentation-and-catalog)).

The specifications shown indicate the outer edge dimension and the inside bathing capacity dimension measured at air jets' height. The manufacturer accepts a 1/4" [0.64 cm] variance. There are variations on each product and specifications are subject to change as we improve upon our product as required. The dimensions needed for site preparation and structure building will differ. BainUltra® assumes no responsibility for preparatory work done prior to the product being on site.

<b>Cutting template</b>	# 90000001
<b>Approx. shipping weight</b>	128 lb
<b>Turbine power</b>	550 W
<b>Air heater</b>	600 W
<b>WARRANTY</b>	
Controls-LED-Geysair*	5 years
Bath & turbine*	20 years

\* Some restrictions apply | [www.bainultra.com/warranty](http://www.bainultra.com/warranty)