

ESSENCIA DESIGN 7438

74" x 38" x 20"

Essencia evokes essence—the elemental aspects of the inner being.

PRODUCT NO.

MODEL	TMU	TUB
	BESSOU00T-XX	BESSOU00N-XX

THERMOMASSEUR (TMU) Hydro-thermo massage • Air jet system	\$
Jets	37
1 heated backrest	Included
MiaPlus® Control*	Included
Geysair®	Included
Illuzio Chromatherapy BCHRO6	\$

TUB Soaker	\$
Illuzio Chromatherapy BCHRO6	\$
WarmTouchShell® BWTS	\$
DOT control	Included with therapy

FEATURES

Installation type	Drop-In & Undermount		
No. of bathers	↓	Imp. gallons	46
US gallons	55		

INTEGRATED WASTE & OVERFLOW [BOVERINI-XX](#)

White 01 , Biscuit 02 , Chrome 07 , Brushed Nickel 09 , Polished Nickel 10	Installed & Included
---	----------------------

STANDARD COLOR

 White 01  Biscuit 02	Included
---	----------

OPTIONS (UPCHARGE APPLICABLE)

FINISH

UltraVelour Matte Finish (White only) BVEL	\$
--	----

INTEGRATED WASTE & OVERFLOW [BOVERINI-XX](#)


Black Chrome 12 , Matte Black 19 , Satin Brass 18	\$
---	----

CONTROL (TMU only)

MiaMulti® BMIAM2-XX	\$
-------------------------------------	----

IF REQUIRED BY CONSTRUCTION CODE OR INSTALLED WITH ITD

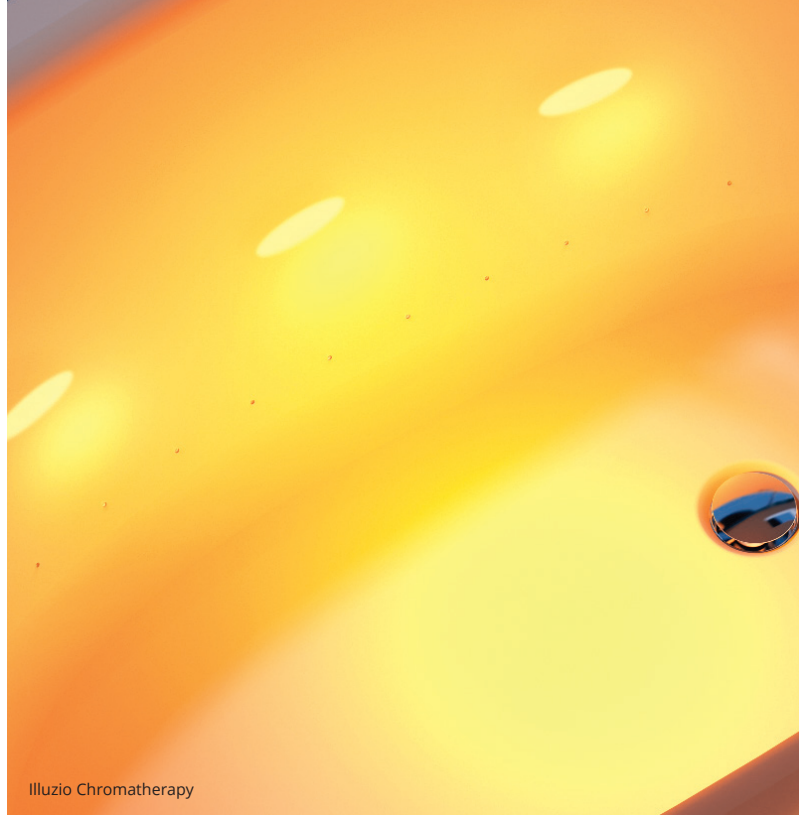
Brass waste & overflow kit** BDRCOB	\$
Brass waste kit** BDRCB	\$

 * For TMU, control and faucets cannot be installed on the deck of the bath
 ** When ordered with integrated waste & overflow.

TOTAL PRICE \$

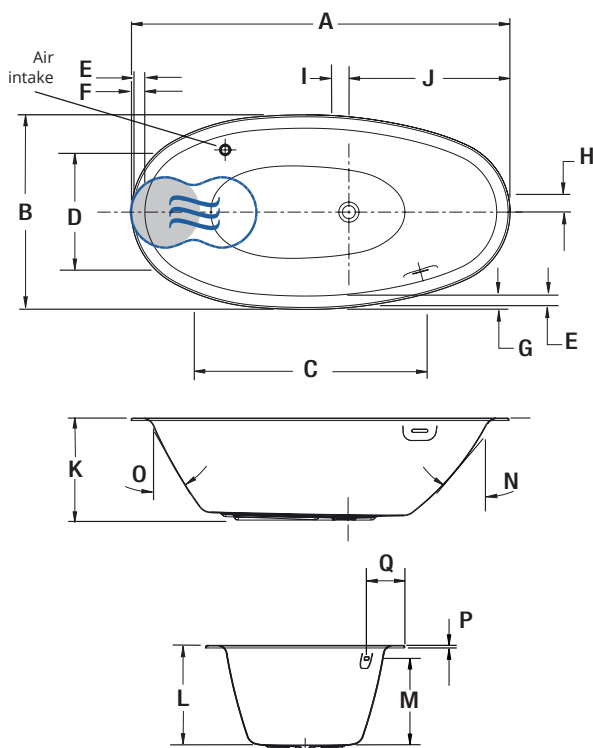


ESSENCIA DESIGN 7438



Illuzio Chromatherapy

INSTALLATION



LETTER	DESCRIPTION	MEASURE
A	Total length	74"
B	Total width	38"
C	Bathing well length (at jets height)	44 7/8"
D	Bathing well width (at jets height)	22 5/8"
E	Deck width (top)	2 1/4"
F	Deck width (backrest round edge)	2 5/8"
G	Deck width (side round edge)	2 5/8"
H	Distance from center air intake to center drain (long axis)	3 1/2"
I	Distance from center air intake to center drain (trans axis)	3 1/2"
J	Distance from center drain to deck edge	31 1/2"
K	Bath height	20"
L	Height from drain to top of deck	19 1/4"
M	Height from drain to center of overflow	16 3/4"
N	Slope	40°
O	Slope of backrest	29°
P	Deck height (slim deck)	1/2"
Q	Distance from deck to overflow	7 3/8"

- Indicates heated backrest (TMU)
- Indicates WarmTouchShell® position (TUB)

TECHNICAL SPECIFICATIONS

Hot water supply required	Should be 70% of water capacity of TUB or greater.
Turbine	Access to the pump must be at least 18" x 22". Standard connection is 20 A, 120 V, 60 Hz , dedicated line with a Ground-Fault Circuit Interrupter (GFCI). For any additional option, a second line is needed 15 A, 120 V, 60 Hz , dedicated line with a GFCI. Air vent necessary: 2" x 4" minimum.
Others	<ul style="list-style-type: none"> - Faucets cannot be installed on the deck of the bath. - The turbine must be remotely installed. - TMU: Control must be wall-mounted.

Cutting template	# 90000071
Approx. shipping weight	132 lbs
Turbine power	550 W
Air heater	600 W
WARRANTY	
Controls-LED-Geysair*	5 years
Bath & turbine*	20 years

Our products must be installed by certified professionals only and according to our Owner's Manual as well as federal, provincial/state and local building codes and regulations (www.bainultra.com/documentation/documentation).

* Some restrictions apply | www.bainultra.com/warranty



The specifications shown indicate the outer edge dimension and the inside bathing capacity dimension measured at air jets' height. The manufacturer accepts a 1/4" [0.64 cm] variance. There are variations on each product and specifications are subject to change as we improve upon our product as required. The dimensions needed for site preparation and structure building will differ. BainUltra® assumes no responsibility for preparatory work done prior to the product being on site.