

# AMMA OVAL 7242

72" x 42" x 22"

Amma takes its origin in the word "massage" as represented by two Chinese characters, AN and MO, meaning "calm through touch."



Raised deck

## PRODUCT NO.

DESCRIPTION	TMU	TUB
Raised deck	BAMVOUP0T-XX	BAMVOUP0N-XX
Flat deck	BAMVOUN0T-XX	BAMVOUN0N-XX

THERMOMASSEUR (TMU) Hydro-thermo massage • Air jet system	\$
Jets	58
2 heated backrests & headrests*	Included
MiaPlus® Control	Included
Geysair®	Included
AromaCloud®*** BAROMAC	\$
Illuzio Chromatherapy BCHRO6	\$

TUB Soaker	\$
AromaCloud®*** BAROMAC	\$
Illuzio Chromatherapy BCHRO6	\$
WarmTouchShell® BWTS	\$
DOT control	Included with therapy
2 <sup>nd</sup> WarmTouchShell® BWTS2	\$

## FEATURES

Installation type		Drop-in & Undermount***	
No. of bathers	2	Inverted V	2
US gallons	65	Armrests	4
Imp. gallons	54	Grab bars (color match)	2
Raised seats	2		

## STANDARD COLOR

		Included
White 01	Biscuit 02	

## OPTIONS (UPCHARGE APPLICABLE)

### COLOR

	Gray 05	\$
--	---------	----

### CONTROL (TMU only)

MiaMulti® BAMIAM2-XX	\$
----------------------	----

### CLEAR ACRYLIC GRAB BARS BGBG10-XX

With Chrome 07 or Brushed Nickel 09 inserts	\$
---	----

### WASTE & OVERFLOW

	16" x 35" BOVER16-XX	INTE- GRATED BOVERIN-XX
Chrome 07	\$	\$
White 01, Biscuit 02	\$	\$
Brushed Nickel 09, Polished Nickel 10	\$	\$
Oil-rubbed Bronze 11	\$	N/A
Black Chrome 12, Matte Black 19, Satin Brass 18	N/AV	\$

### IF REQUIRED BY CONSTRUCTION CODE OR INSTALLED WITH ITD

Brass waste & overflow kit**** BDRCOB	\$
Brass waste kit**** BDRCB	\$
16" x 35" Cable driven Brass waste & overflow kit BOVERBR-XX	\$



Don't forget to indicate raised or flat deck.

\* Independently controlled.

\*\* The AromaCloud® is built into the deck.

\*\*\* The AromaCloud® is not available with Undermount installation.

\*\*\*\* When ordered with integrated waste & overflow.

**TOTAL PRICE** \$



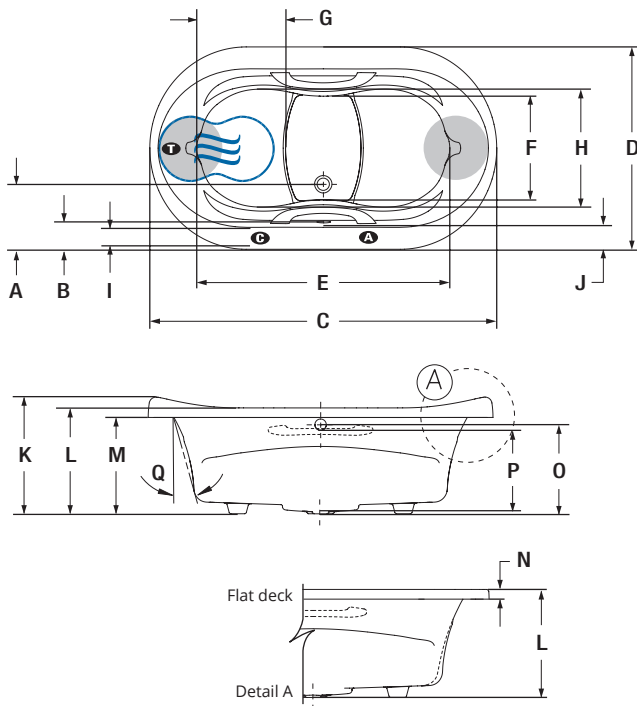
**AMMA OVAL 7242**



Flat deck

**INSTALLATION**

Available with raised or flat deck.



LETTER	DESCRIPTION	MEASURE
A	Outside edge to center drain	13 1/2"
B	Outside edge to overflow	5 3/8"
C	Total length	72"
D	Total width	42"
E	Bathing well length	52 1/4"
F	Bathing well width at foot area	21 3/8"
G	Raised seat length	18 5/8"
H	Raised seat width	24"
I	Flat surface width	3 7/8"
J	Deck width	5 1/4"
K	Total height to headrest	24 3/8"
L	Height from bottom of tub to top deck	22 1/8"
M	Height from bottom of tub to bottom of lip	20 1/8"
N	Height from bottom of lip to top deck	2"
O	Height from drain to center of overflow	18 1/8"
P	Maximum water level	16 3/8"
Q	Slope of backrest	18°

- A** AromaCloud® position
- C** Control position when factory-installed (Mia® or DOT)
- T** Turbine position (TMU)
- Indicates heated backrest (TMU)
- ☄ Indicates WarmTouchShell® position (TUB)

**TECHNICAL SPECIFICATIONS**

<b>Hot water supply required</b>	Should be 70% of water capacity of TUB or greater.
<b>Turbine</b>	Access to the pump must be at least 18" x 22". <b>Standard connection is 20 A, 120 V, 60 hz</b> , dedicated line with a Ground-Fault Circuit Interrupter (GFCI). <b>For any additional option, a second line is needed 15 A, 120 V, 60 hz</b> , dedicated line with a GFCI. Air vent necessary: 2" x 4" minimum.
<b>Others</b>	<ul style="list-style-type: none"> <li>- Available with flat deck for Undermounting or raised deck.</li> <li>- There is a height difference for the flat deck (see drawing Detail A).</li> <li>- With or without headrest (flat).</li> </ul>

Our products must be installed by certified professionals only and according to our Owner's Manual as well as federal, provincial/state and local building codes and regulations ([www.bainultra.com/documentation/documentation](http://www.bainultra.com/documentation/documentation)).

<b>Cutting template</b>	# 90000036
<b>Approx. shipping weight</b>	170 lbs
<b>Turbine power</b>	550 W
<b>Air heater</b>	600 W
<b>WARRANTY</b>	
Controls-LED-Geysair*	5 years
Bath & turbine*	20 years

\* Some restrictions apply | [www.bainultra.com/warranty](http://www.bainultra.com/warranty)



The specifications shown indicate the outer edge dimension and the inside bathing capacity dimension measured at air jets' height. The manufacturer accepts a 1/4" [0.64 cm] variance. There are variations on each product and specifications are subject to change as we improve upon our product as required. The dimensions needed for site preparation and structure building will differ. BainUltra® assumes no responsibility for preparatory work done prior to the product being on site.