

**36" BOWDON DOUBLE
BOWL FARMER SINK**

Cat. No
FSGDB4530



W: 36"
D: 20"
H: 10"

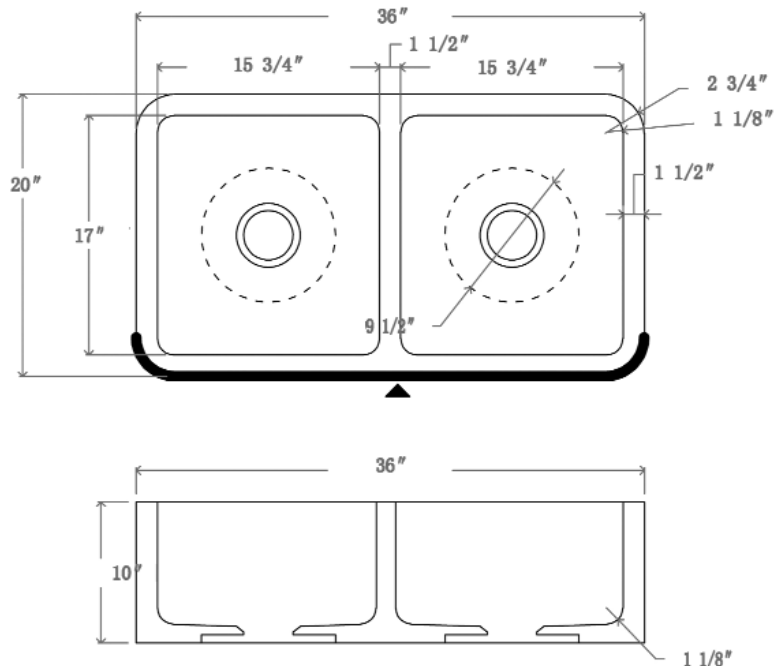
Features:

- ▶ Crafted from natural granite
- ▶ Easy to clean
- ▶ Polished back and sides
- ▶ Each basin is the same size 50/50 offset
- ▶ Each individual stone sink is unique and varies
- ▶ Standard 3-1/2" drain opening fits most drains and disposals
- ▶ We recommend sealing with StoneTech sealer before use
- ▶ Optional **UMSPT** support sold separately
- ▶ Unpolished naturally chiseled apron front
- ▶ No faucet holes
- ▶ Flange extension required

Finishes:

GPBL Polished Black Granite

***Please do NOT cut hole without template or actual product.**



Interior Dimensions:

Each Basin:

Basin Interior: 15-3/4"W x 17"D
Basin Depth: 8"

Dimensions of fixture are nominal and may vary slightly. Dimensions and specifications subject to change without notice.