

# QUADRO 1084 x 520

mm

mm

42 5/8  
inchesx 20 1/2  
inches

Elettrico / electric / électrique

## CODICE / CODE

RS435016SN	RS445016SN
RL435016SN	RL445016SN
RV435016SN	RV445016SN

## H

1084 mm  
42 5/8 inches

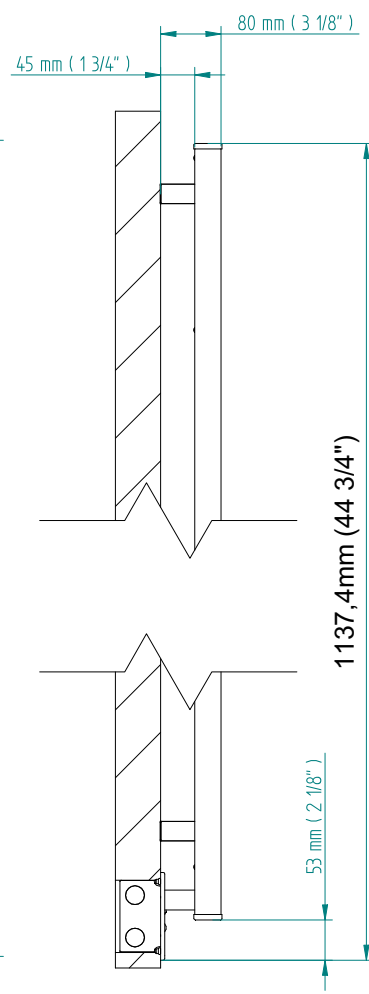
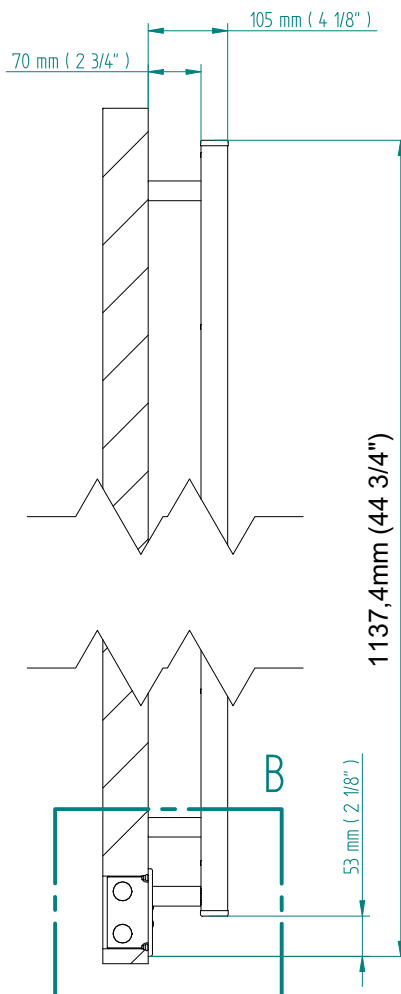
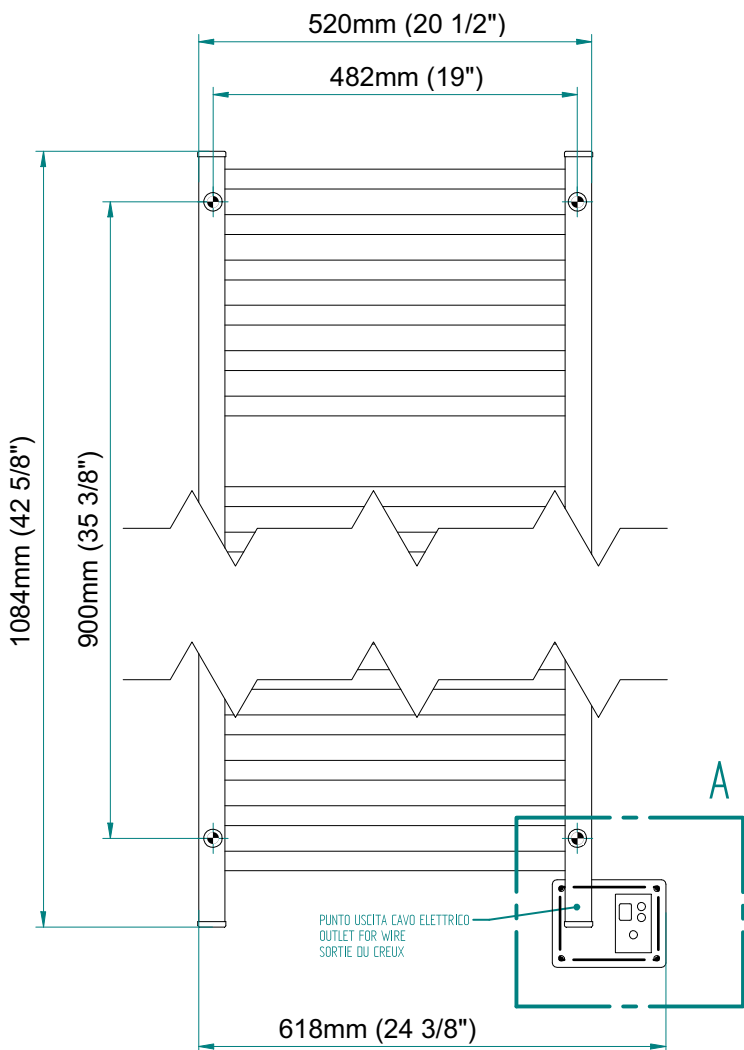
## L

520 mm  
20 1/2 inches

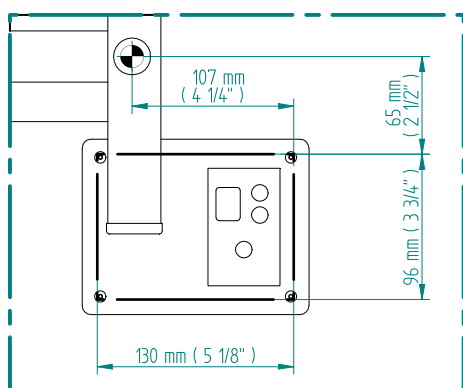
REGOLATORE DI POTENZA  
DIGITAL HEAT CONTROLLER  
REGULATEUR DE PUISSANCE

INGOMBRO CON ATTACCO LUNGO  
MEASUREMENTS WITH LONG BRACKETS  
MEASUREMENTS AVEC ATTACHE LONG

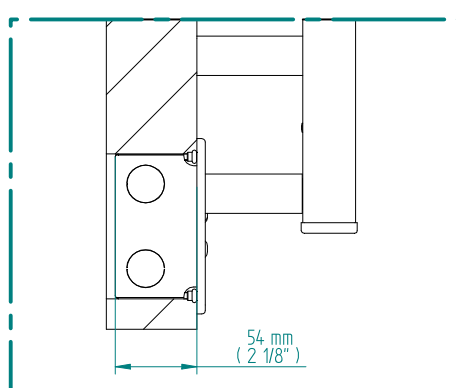
INGOMBRO CON ATTACCO STANDARD  
MEASUREMENTS WITH STANDARD BRACKETS  
MEASUREMENTS AVEC ATTACHE STANDARD



## DETAIL A



## DETAIL B



FORO PER INSERIMENTO TASSELLO A MURO 6X30  
POSITIONING OF FASTENERS FOR FIXING TO WALL  
FASTENERS SHOULD BE SECURED IN DTUDS OR HEADERS PLACES BEHIND THE UNIT  
TROU POUR LA CHEVILLE A MUR