

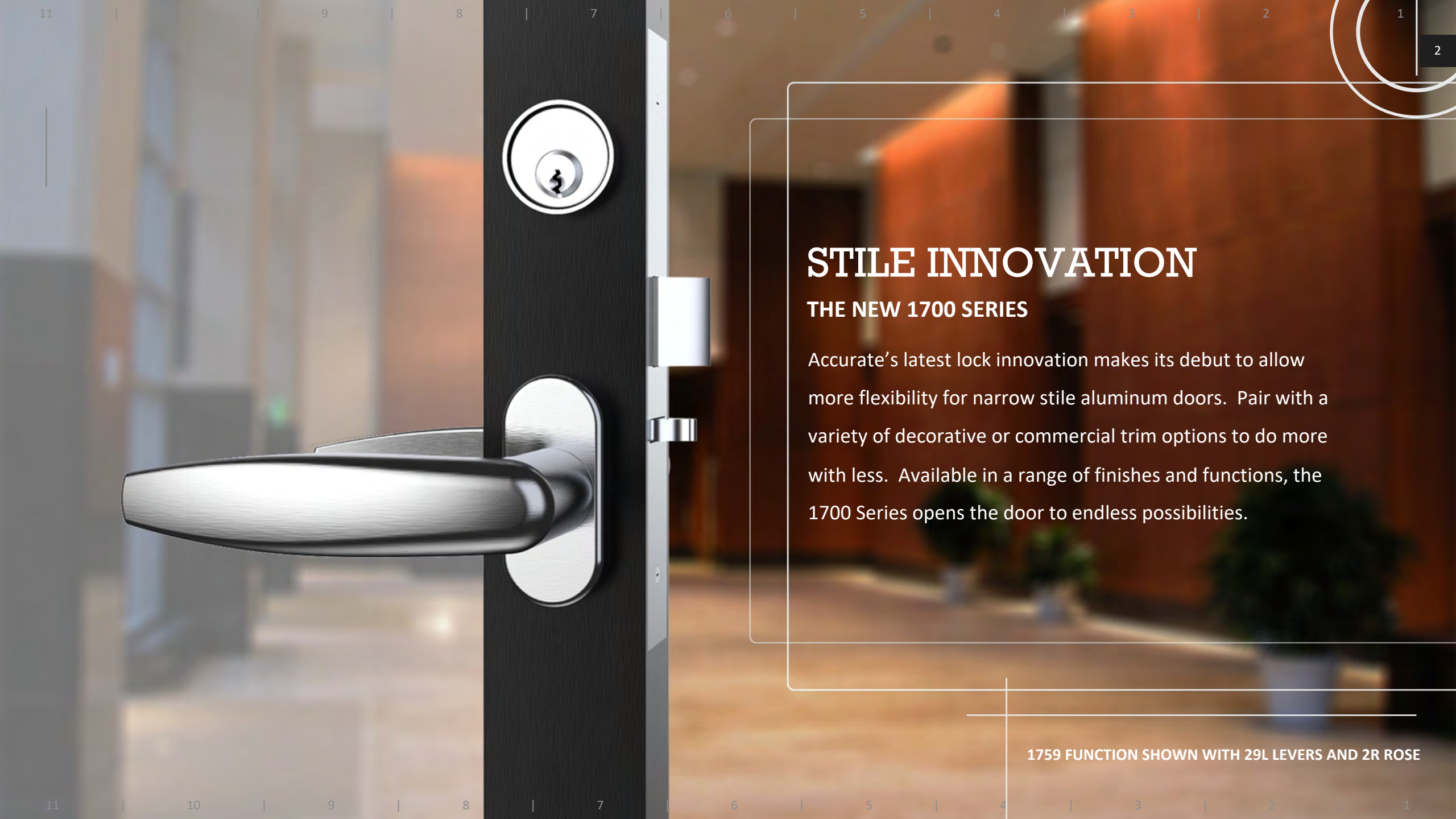


ACCURATE  
LOCK & HARDWARE  
AMERICAN CRAFTED SINCE 1972

---

## 1700 Series Narrow Backset Mortise Locks

Redefining Options for Narrow Stile Doors



# STILE INNOVATION

## THE NEW 1700 SERIES

Accurate's latest lock innovation makes its debut to allow more flexibility for narrow stile aluminum doors. Pair with a variety of decorative or commercial trim options to do more with less. Available in a range of finishes and functions, the 1700 Series opens the door to endless possibilities.

1759 FUNCTION SHOWN WITH 29L LEVERS AND 2R ROSE

# STILE INNOVATION

## 1700 SERIES NARROW BACKSET LOCK

### SLEEK AESTHETICS

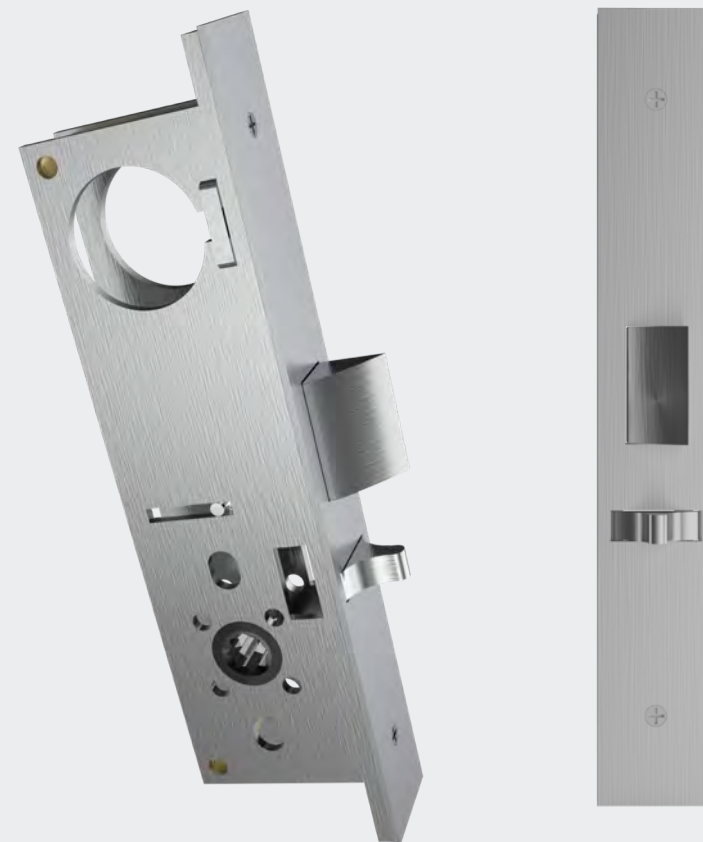
- Maintain sleek lines where narrow stile doors are prominent
- Narrow backsets including 1" and 1<sup>1</sup>/<sub>8</sub>" are ideal for aluminum storefront and glass wall partition systems with narrow stile framing (minimum 1<sup>7</sup>/<sub>8</sub>" stile recommended)

### DESIGN VERSATILITY

- Compatible with Accurate Lever Trim or custom fitted for most manufacturers' sectional lever trim (narrow roses) making trim and finish options limitless

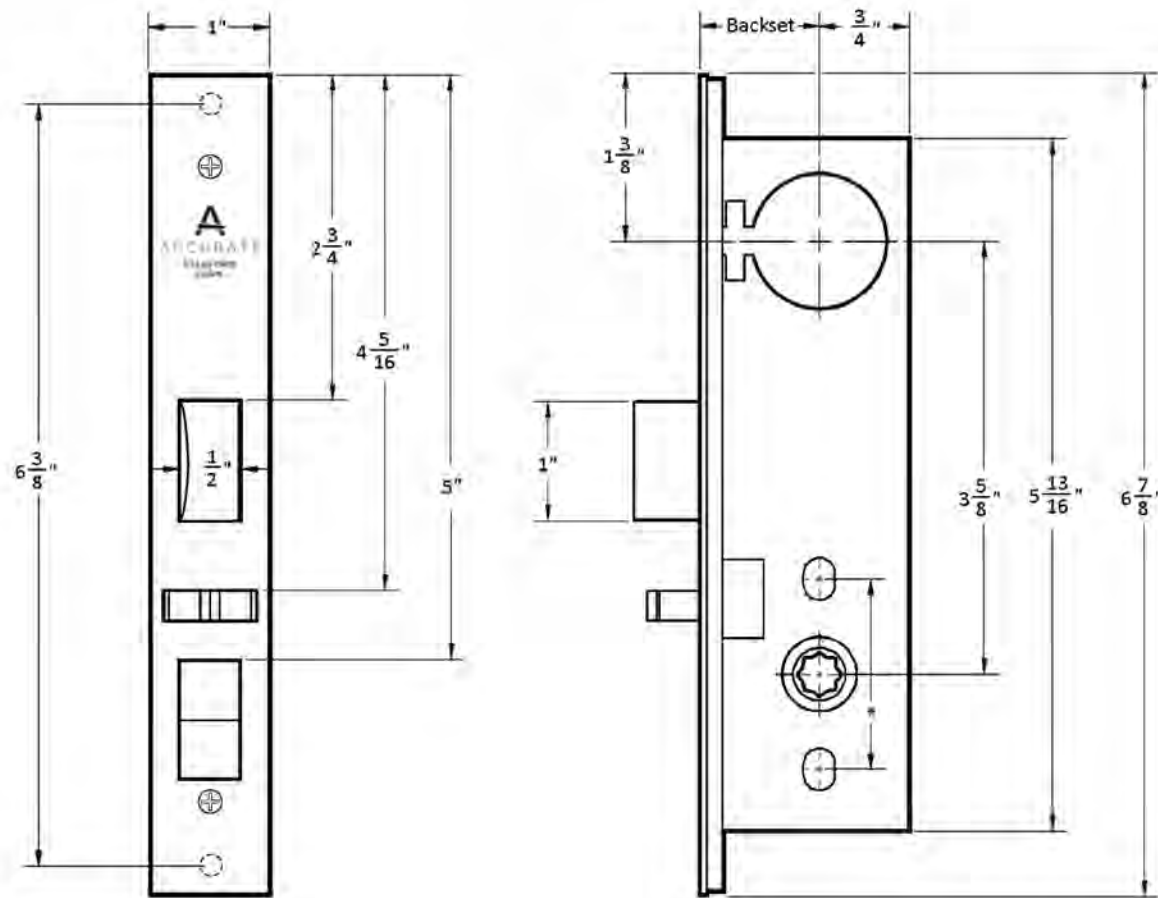
### FUNCTIONALITY

- Available in a variety of latch bolt and deadbolt functions
- Can be used with standard mortise cylinders
- Features latch holdback by cylinder



1757 ENTRANCE OR OFFICE FUNCTION

# 1700 Series: Latch Bolt Technical Details



\*To accommodate through-bolting  
 $1\frac{1}{2}$  to  $1\frac{1}{16}$  center to center

**BACKSET:** 1",  $1\frac{1}{8}$ "

**CASE:** Heavy gauge, stainless steel

**ARMOR FRONT:** Brass, bronze, aluminum or stainless steel, finished as required. Faceplate options: flat (default), radius or beveled (see How to Specify pgs. 10-11)

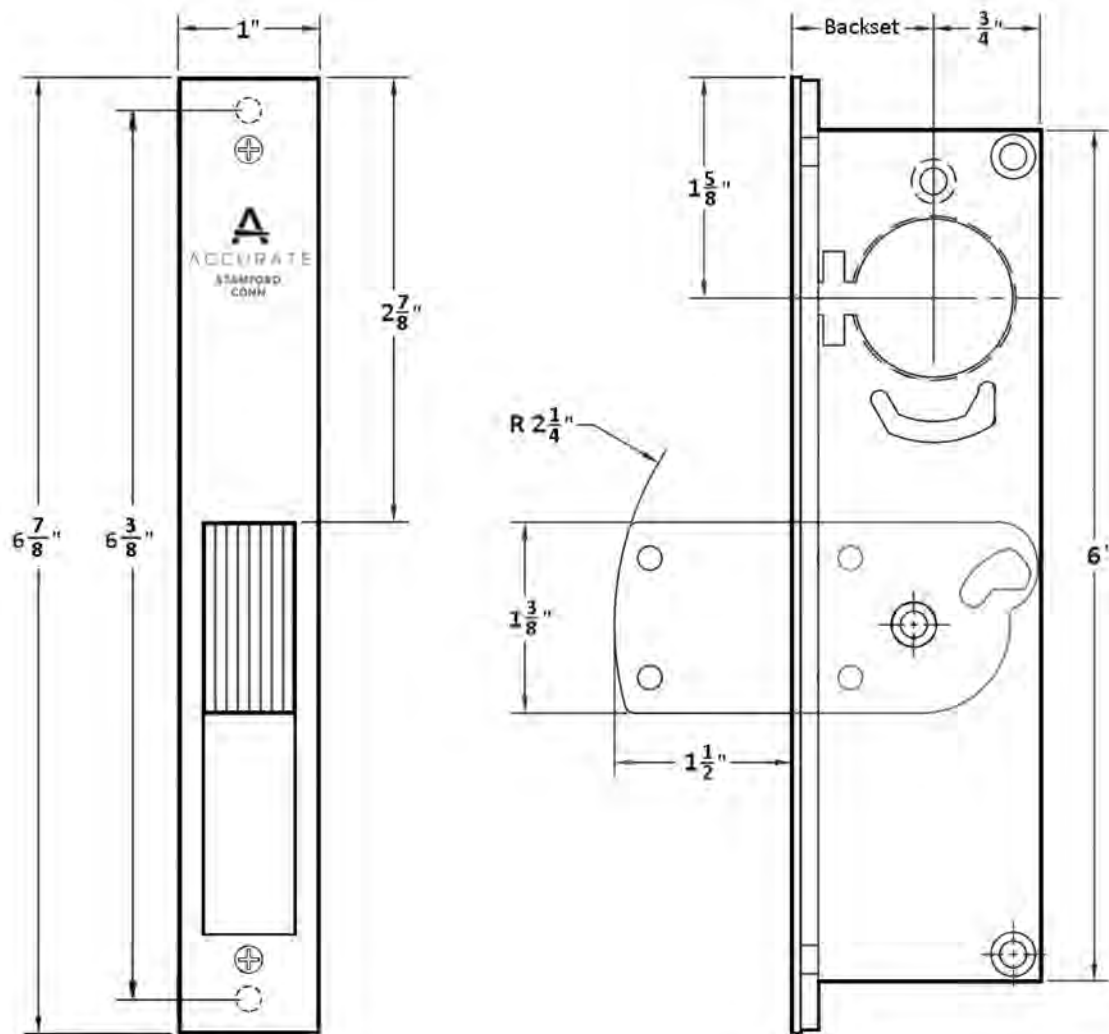
**LATCH BOLT:** Brass or stainless steel, solid type  $\frac{1}{2}$ " throw

**STRIKE:**  $4\frac{7}{8}$ " ASA

**HUBS:** Available in different sizes to be compatible with various trim

**DUST BOX:** Brass, stainless steel or oil rubbed bronze

# 1700 Series: Deadbolt Technical Details



**BACKSET:** 1", 1 1/8"

**CASE:** Heavy gauge, stainless steel

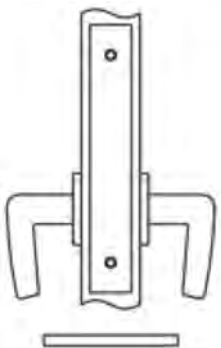
**ARMOR FRONT:** Brass, bronze, aluminum or stainless steel, finished as required. Faceplate options: flat (default), radius or beveled (see How to Specify pgs. 10-11)

**STRIKE:** 4 7/8" x 1 1/4"

**DEADBOLT:** Laminated stainless steel with anti-lift feature, 1 1/2" throw

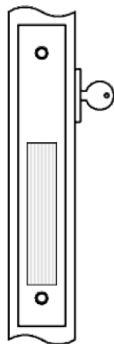
**DUST BOX:** Brass, stainless steel or oil rubbed bronze

# 1700 Series: Functions



## 1700ADL ACTIVE DUMMY LOCK

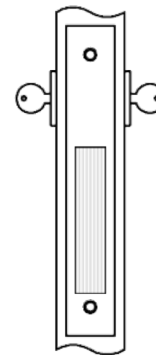
Active handles inside and outside



## 1701 DEADLOCK

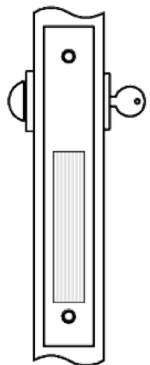
Deadbolt by key outside.

No inside operation.



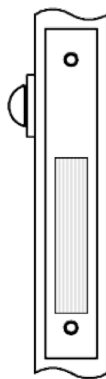
## 1702 DEADLOCK

Deadbolt by key either side.



## 1703 DEADLOCK

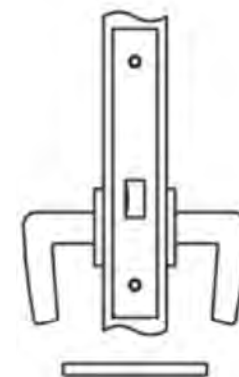
Deadbolt by key outside and thumb turn cylinder inside



## 1704 DEADLOCK

Deadbolt by thumb turn cylinder inside.

No outside operation.



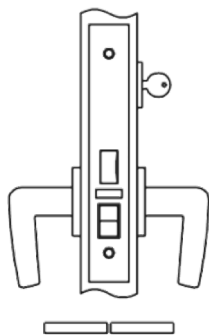
## 1725 PASSAGE

Latch bolt by lever either side.

Latch bolt can be held retracted by depressing, then turning key.\*

*\*Optional, please specify 1725H*

# 1700 Series: Functions



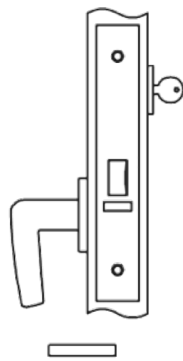
## 1756 ENTRANCE OR OFFICE

Latch bolt by key outside and lever either side unless outside lever is locked by toggle-action stop.

Auxiliary latch deadlocks latch bolt.

Latch bolt can be held retracted by depressing, then turning key.\*

*\*Optional, please specify 1756H*



## 1757 ENTRANCE OR OFFICE

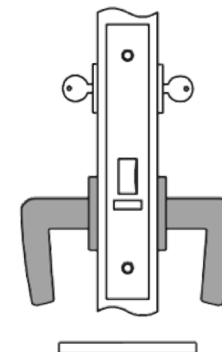
Latch by lever inside and key outside.

**No outside lever.**

Auxiliary latch deadlocks latch bolt.

Latch bolt can be held retracted by depressing, then turning key.\*

*\*Optional, please specify 1757H*



## 1758 INSTITUTION OR ASYLUM

Latch by key either side.

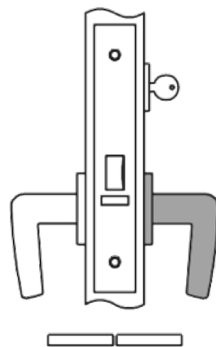
Inside and outside levers always **rigid**.\*

Auxiliary latch deadlocks latch bolt.

Latch bolt can be held retracted by depressing, then turning key.\*\*

*\*Verify code compliance before using this function*

*\*\*Optional, please specify 1758H*



## 1759 STOREROOM OR CLOSET

Latch by lever inside and key outside.

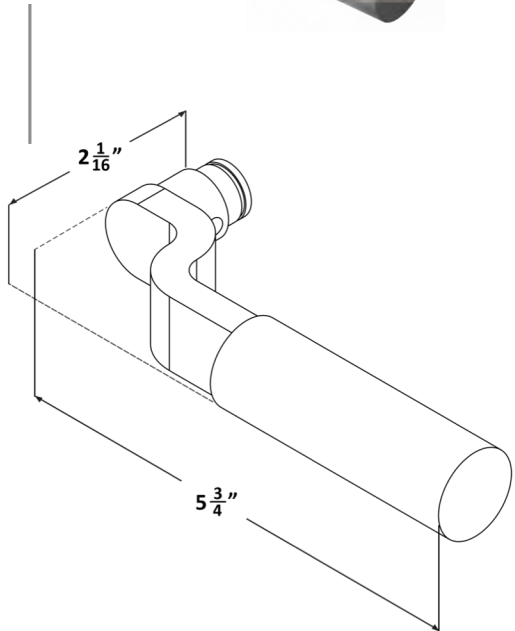
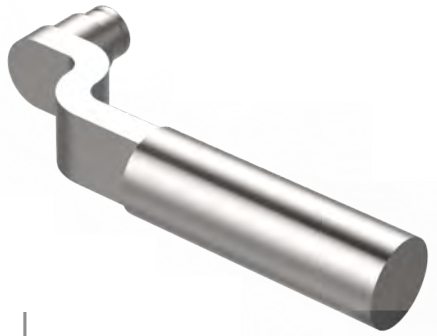
Outside lever always **rigid**.

Auxiliary latch deadlocks latch bolt.

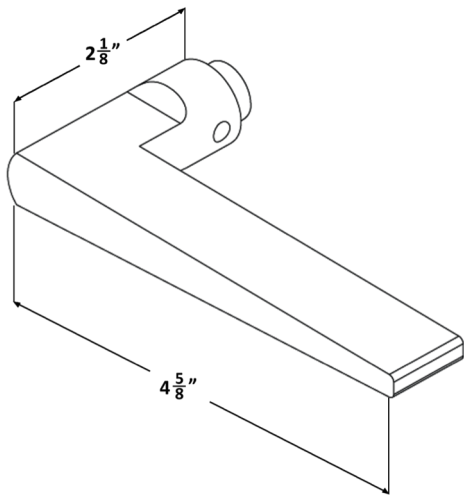
*\*Optional, please specify 1759H*

# ACCURATE LEVER TRIM OPTIONS

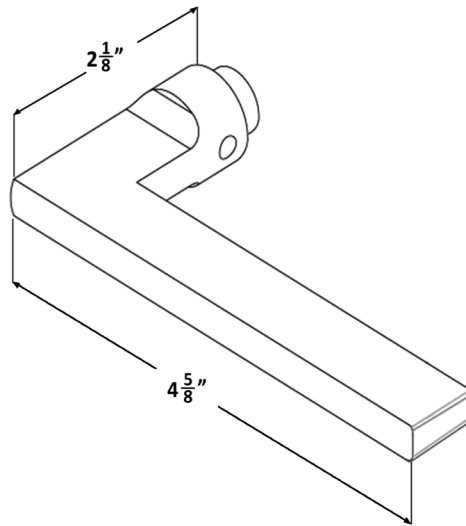
**17L LEVER**



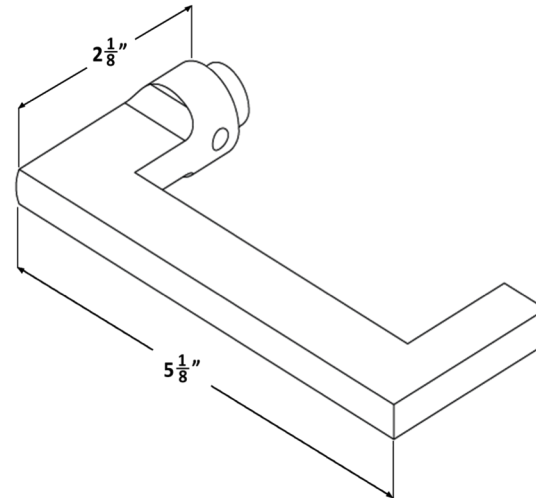
**18L LEVER**



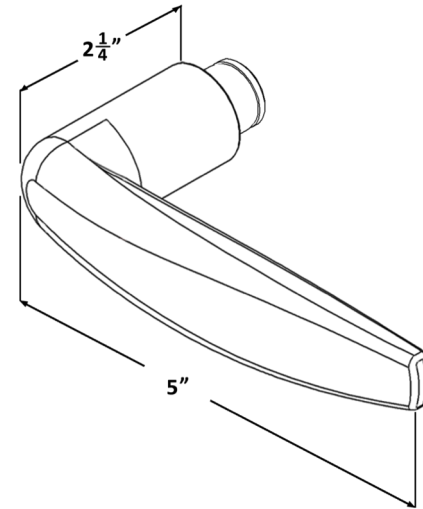
**19L LEVER**



**20L LEVER**



**29L LEVER**  
Furnished Standard





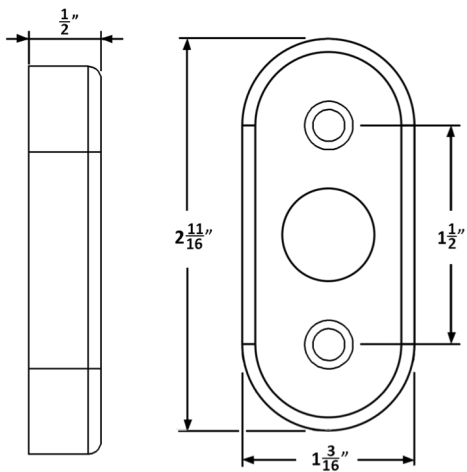
# ACCURATE TRIM OPTIONS

### 2R ROSE

Side

Inside

Outside

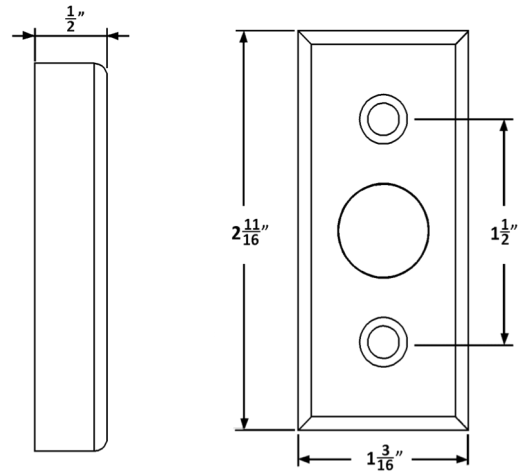
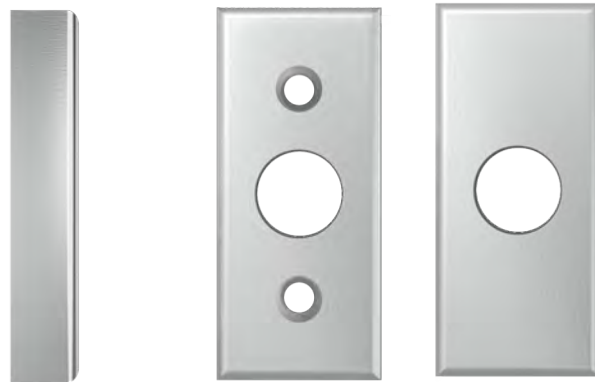


### 4R ROSE

Side

Inside

Outside

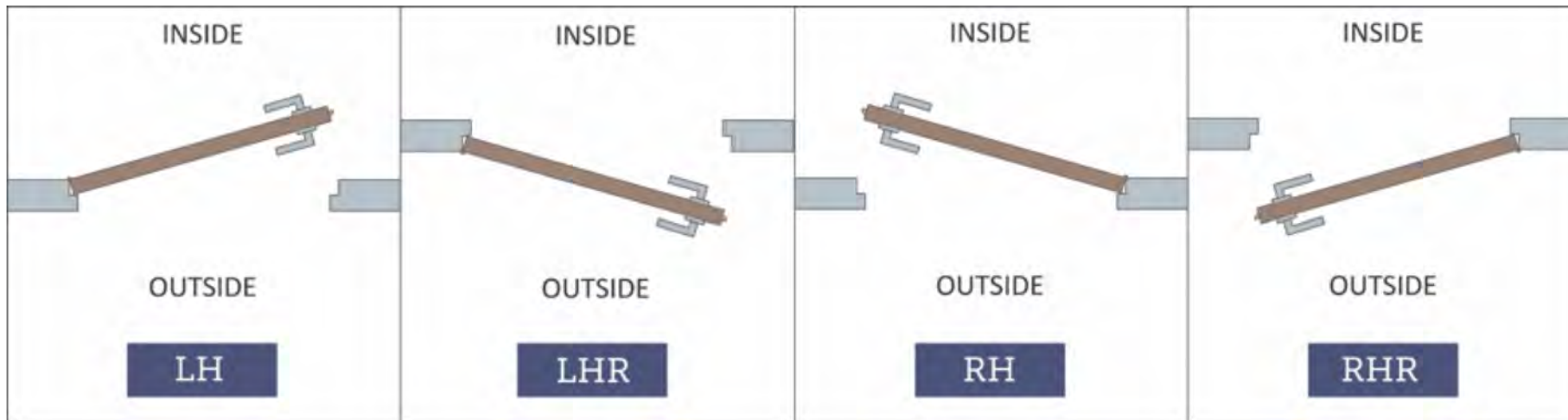


### STANDARD 29L LEVER/2R ROSE SET



# HOW TO SPECIFY

## HANDING



## FINISHES

**GROUP 1:** US4, US4NL, US32D\*, US26D

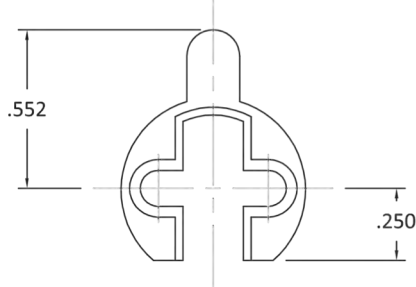
**GROUP 2:** US3, US3NL, US26, US32\*, US9\*, US10\*, US10B, US14, US15, US19

**GROUP 3:** BN, BB, TN, TB, DURO, ESN, US15A, US5

\* Trim options (including Accurate Levers) may not be available in US32D, US32, US9, or US10 finish. Please call for assistance.

To view example of finishes visit: [Accurate Finishes](#).

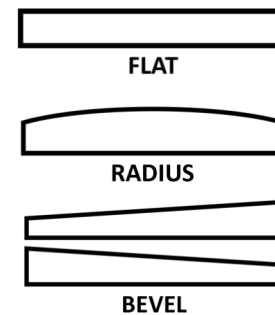
## CYLINDERS & KEYING



1700 Series locks accept any standard American mortise cylinder. For details on required cams and compatibility with other manufacturers' cylinders, please visit: [Accurate Support](#).

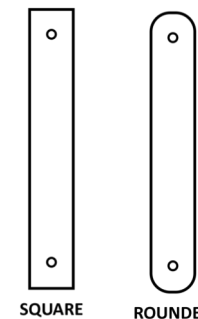
## FACEPLATE

### FACEPLATE EDGE



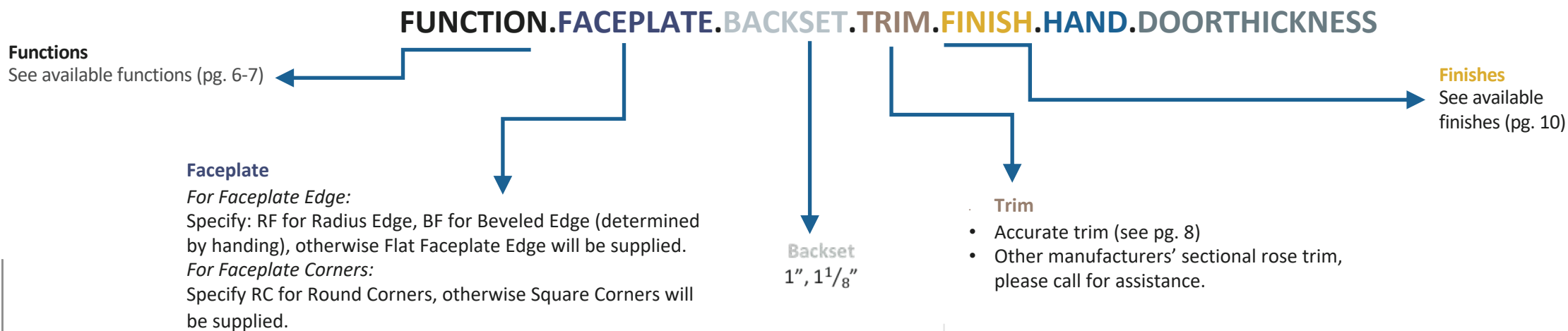
Flat Faceplate Edge furnished unless otherwise specified. Bevel Faceplate determined by handing.

### FACEPLATE CORNERS



Square Faceplate Corners furnished unless otherwise specified.

# HOW TO SPECIFY



## EXAMPLES

**Office Lock | Radius Faceplate Round Corners | Accurate Trim**

E.g.: 1756.RFRC.1.29L/2R.US26D.RH.134

**Storeroom Lock | Flat Faceplate Round Corners | Accurate Trim**

E.g.: 1759.RC.1.29L/2R.US26D.RH.134

**Entry Lock | Beveled Faceplate Square Corners | Other Manufacturers' Trim\***

E.g.: 1757.BF.1125.8mm.US26D.RH.138

**Passage Lock with Hold Back | Flat Faceplate Round Corners | Other Manufacturers' Trim\***

E.g.: 1725H.RC.1125.7mm.US3NL.RH.138

## CUSTOM OPTIONS AVAILABLE

- Set up for levers by other manufacturers
- Sliding door functionality
- Glass Patch Narrow Backset Locks (G17)

Please [contact us](#) for assistance

**Cylinders and cylinder thumb turns are not included. Please specify separately.**

\*Note: For compatibility with other manufacturers' trim please call for assistance.



## Also available.. G1700 GLASS PATCH

### FOR NARROW STILE GLASS DOORS

Offered as a completed package including lock body, thumb turn, patch assembly and levers. Available in a range of finishes and functions.

Please contact us for more information.

**ACCURATE LOCK & HARDWARE  
MANUFACTURERS OF LOCKS AND  
CUSTOM ARCHITECTURAL HARDWARE**

1 Annie Place | Stamford, CT 06902

**P:** 203.348.8865

**F:** 203.348.5234

**E:** sales@accuratelockandhardware.com

**www.accuratelockandhardware.com**



**AMERICAN CRAFT  
— SINCE 1972 —**